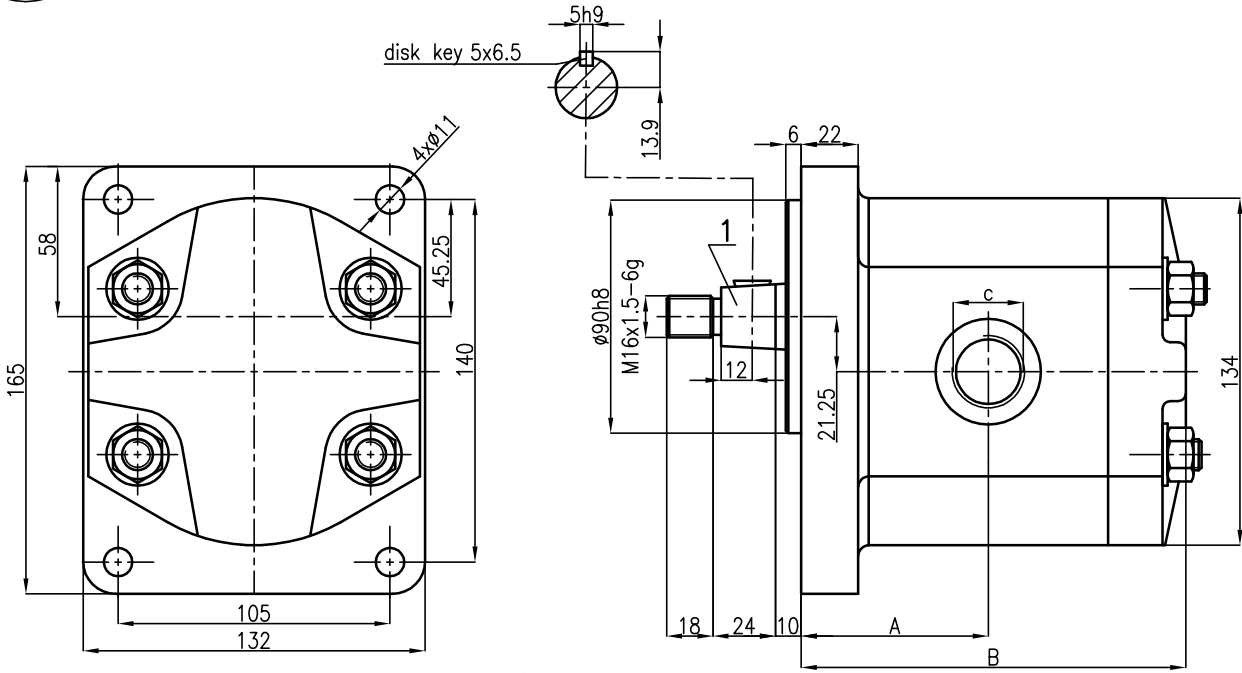
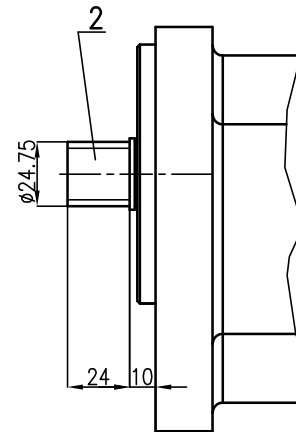
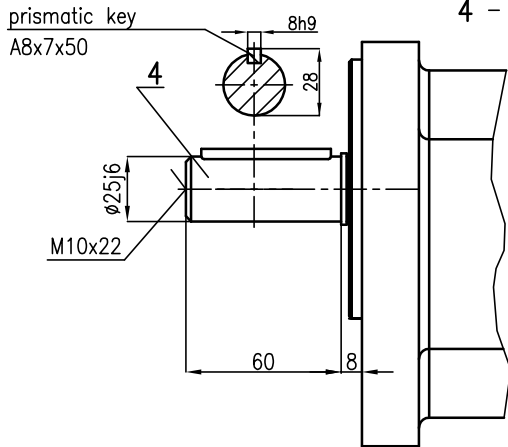




# PZ3-III-2 technical drawing



- 1 - 1:10 shaft taper
- 2 - shaft splined 25x1.25x10d acc.to PN-69/M-85010
- 4 - shaft cylindrical



Geometric displacement ccm/rot	Pump designation	Dimension [mm]		Port thread inlet and outlet c
		A	B	
12.5	PZ3-12.5/20-x-122 PZ3-12.5/20-x-222	66.2	131	M22x1.5A
16	PZ3-16/20-x-122 PZ3-16/20-x-222	68	135	M27x2A
20	PZ3-20/20-x-122 PZ3-20/20-x-222	70	139	M27x2A
25	PZ3-25/20-x-122 PZ3-25/20-x-222	72.2	143.5	M27x2A
32	PZ3-32/16-x-122 PZ3-32/16-x-222 PZ3-32/16-x-422	75.7	150.5	M33x2A
40	PZ3-40/16-x-122 PZ3-40/16-x-222 PZ3-40/16-x-422	80	159	M42x2A
50	PZ3-50/12.5-x-122 PZ3-50/12.5-x-222 PZ3-50/12.5-x-422	85	169	M42x2A
60	PZ3-60/12.5-x-122 PZ3-60/12.5-x-222 PZ3-60/12.5-x-422	89.5	178	M42x2A

x-direction of rotation ( 1-counter clockwise; 2-clockwise )