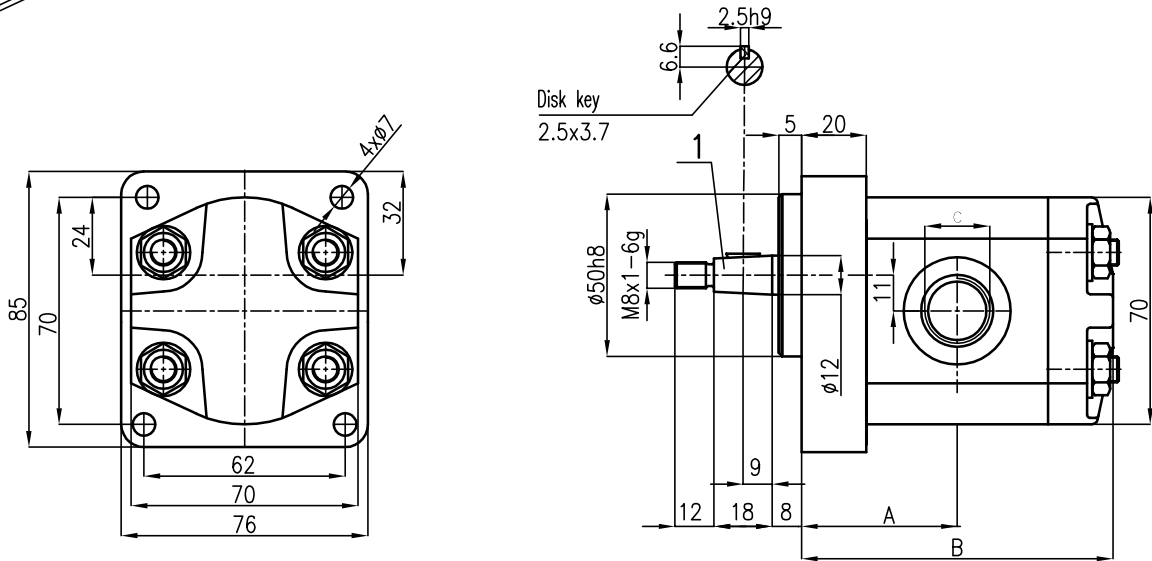
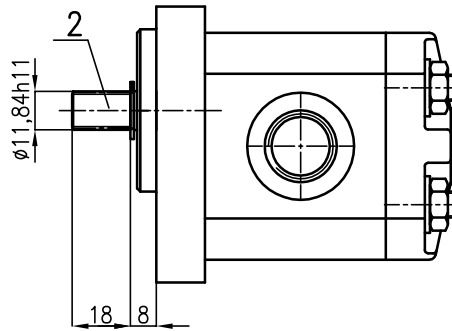




PZ3-I-2 technical drawing



- 1 - 1:10 shaft taper
- 2 - shaft spline 12x0,8x10b acc.to PN-69/M-85010



Geometric displacement [ccm/rot]	Pump designation	Dimmension [mm]		Port thread	
		A	B	inlet c	outlet c
1	PZ3-1/20-x-122 PZ3-1/20-x-222	40.1	80	M12x1.5A	M12x1.5A
1.6	PZ3-1.6/20-x-122 PZ3-1.6/20-x-222	41.7	83	M12x1.5A	M12x1.5A
2.5	PZ3-2.5/20-x-122 PZ3-2.5/20-x-222	44	88	M14x1.5A	M14x1.5A
4	PZ3-4/16-x-122 PZ3-4/16-x-222	48	96	M16x1.5A	M16x1.5A
6.3	PZ3-6.3/12,5-x-122 PZ3-6.3/12,5-x-222	54	108	M20x1.5A	M20x1.5A

x - direction of rotation (1-counter clockwise; 2-clockwise)