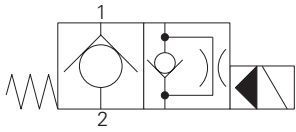


SV5-8-C/O

Poppet type, 2 way, 2 position, Normally Open & Normally Closed
23 L/min (6 USgpm) • 210 bar (3000 psi)

A

SV5-8-C Normally Closed

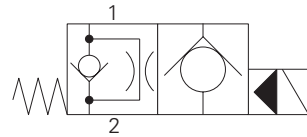


Operation

In the de-energized position the valve blocks flow from port 2 to 1 and free flow is allowed from port 1 to 2.

When the solenoid is energized the pilot poppet is pulled off the seat allowing the valve to open from port 2 to 1. in the reverse direction the flow is restricted by the pilot orifice.

SV5-8-O Normally Open



Operation

In the de-energized position the valve allows free flow from port 2 to 1 and a restricted flow through the pilot orifice from port 1 to 2.

When the solenoid is energized the pilot poppet closes the orifice and the valve closes blocking flow from port 2 to 1 while allowing free flow from port 1 to 2.

Performance data

Ratings and specifications

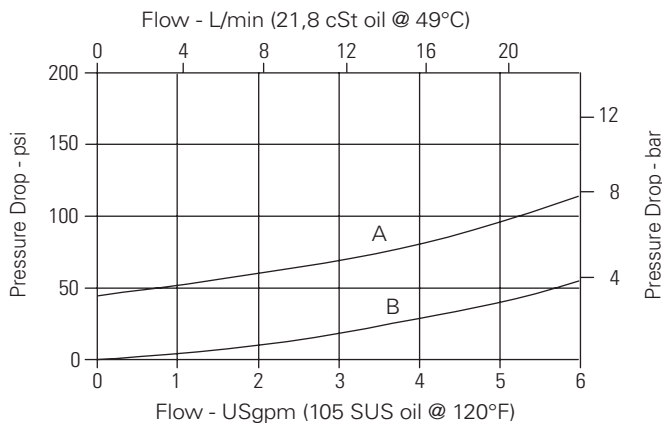
Performance data is typical with fluid at 21,8 cSt (105 SUS) and 49°C (120°F)

Typical application pressure (all ports)	210 bar (3000 psi)
Rated flow	23 L/min (6 USgpm)
Internal leakage	less than 5 drops/min @ 210 bar (3000 psi)
Response times for normally closed (100% rated voltage and flow)	Energize: 18 ms De-Energize: 46 ms
Response time for normally open (100% rated voltage and flow)	Energize: 24 ms De-Energize: 25 ms
Temperature range	-40° to 120°C (-40° to 248°F)
Cavity	C-8-2
Fluids	All general purpose hydraulic fluids such as: MIL-H-5606, SAE 10, SAE 20 etc.
Filtration	Cleanliness code 18/16/13
Weight including coil	0,28 kg (0.62 lbs)
Seal kit	02-165875 (Buna-N), 02-165877 (Viton®)

Viton is a registered trademark of E.I. DuPont

SV5-8-C Pressure drop

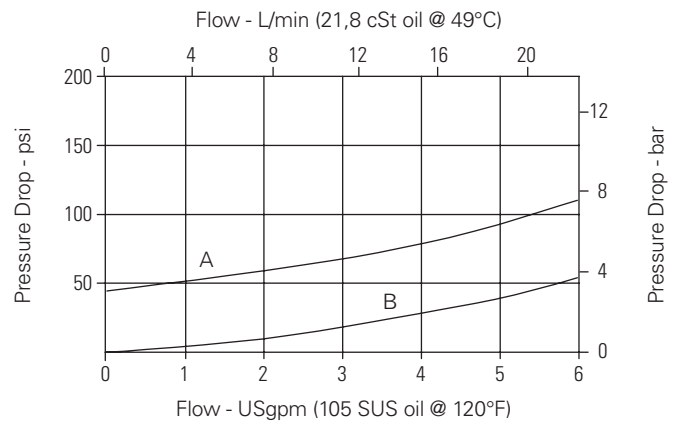
Cartridge only



- A** - Port 1 to port 2 de-energized
- B** - Port 2 to port 1 energized

SV5-8-O Pressure drop

Cartridge only

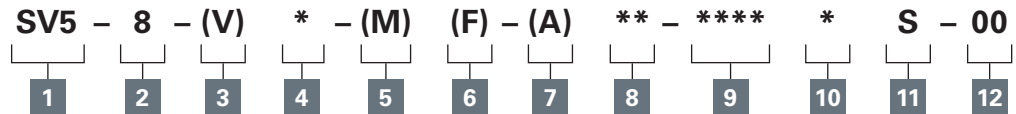


- A** - Port 1 to port 2 energized
- B** - Port 2 to port 1 de-energized

Where measurements are critical request certified drawings. We reserve the right to change specifications without notice.

Poppet type, 2 way, 2 position, Normally Open & Normally Closed
23 L/min (6 USgpm) • 210 bar (3000 psi)

Model code



A

1 Function
SV5 - Solenoid valve

2 Size
8 - 8 size

3 Seal material
Blank - Buna-N
V - Viton®

4 Style
C - Normally closed
O - Normally Open

5 Manual override option
Blank - No manual override
M - Knob type
P - Push type
S - Screw type

6 Filter option
Blank - None
F - Filter screen

8 Port size

Code	Port size	Housing number
0	Cartridge only	
2G	1/4" BSPP	02-160727
3G	3/8" BSPP	02-160728
4T	SAE 4	02-160730
6T	SAE 6	02-160731
8T	SAE 8	02-160732

See section J for housing details.

9 Voltage rating
00 - No coil
12D - 12VDC
24D - 24VDC
115A - 115VAC
230A - 230VAC
12B - 12VDC/w diode*
24B - 24VDC/w diode*
*Optional arc suppression diode.

7 Valve housing material
Omit for cartridge only
A - Aluminum
S - Steel

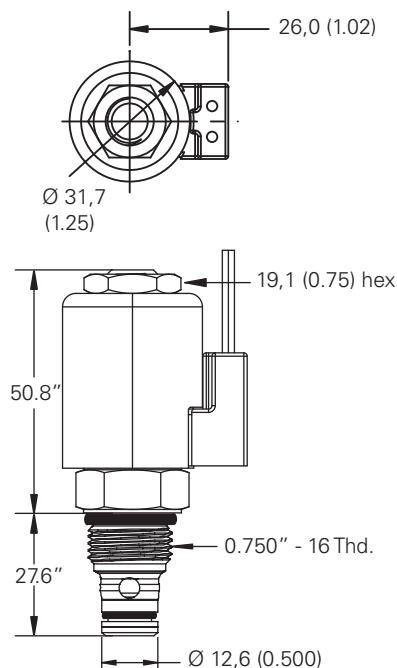
10 Connector types
Blank - No coil
G - ISO 4400 DIN 43650
W - Flying lead
N - Deutsch (DC only)
Y - Amp JR (DC only)
D - Metripack 150 male (DC only)
J - Metripack 280 male (DC only)
E - Weather-Pack (Packard) female
F - Weather-Pack (Packard) male

11 Coil series
S - 8 series, 20 W
For coil part numbers and dimensions see section C.

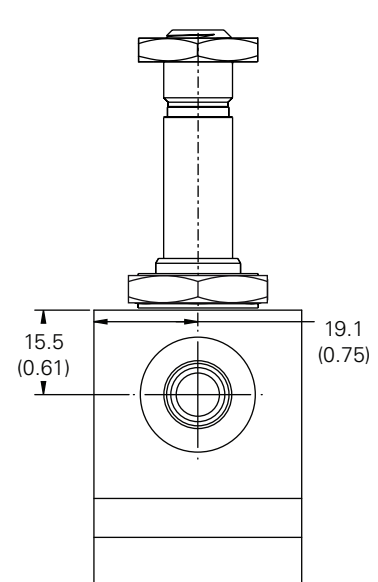
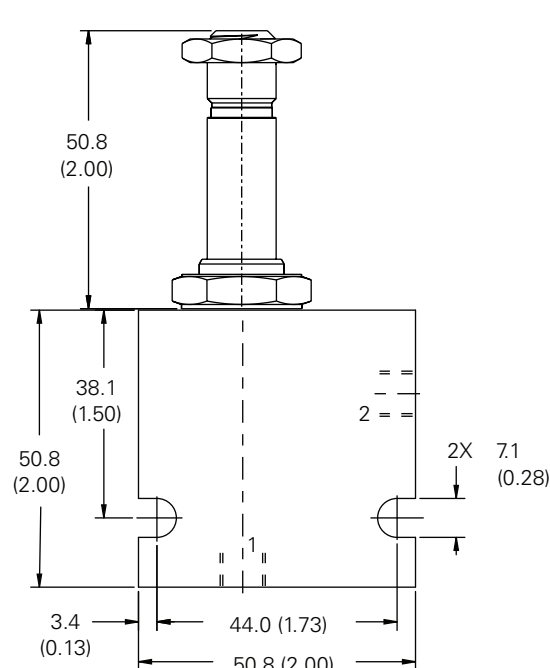
12 Special features
00 - None
(Only required if valve has special features, omitted if "00".)

Dimensions - mm (inch)

Cartridge only



Installation drawing



Where measurements are critical request certified drawings. We reserve the right to change specifications without notice.