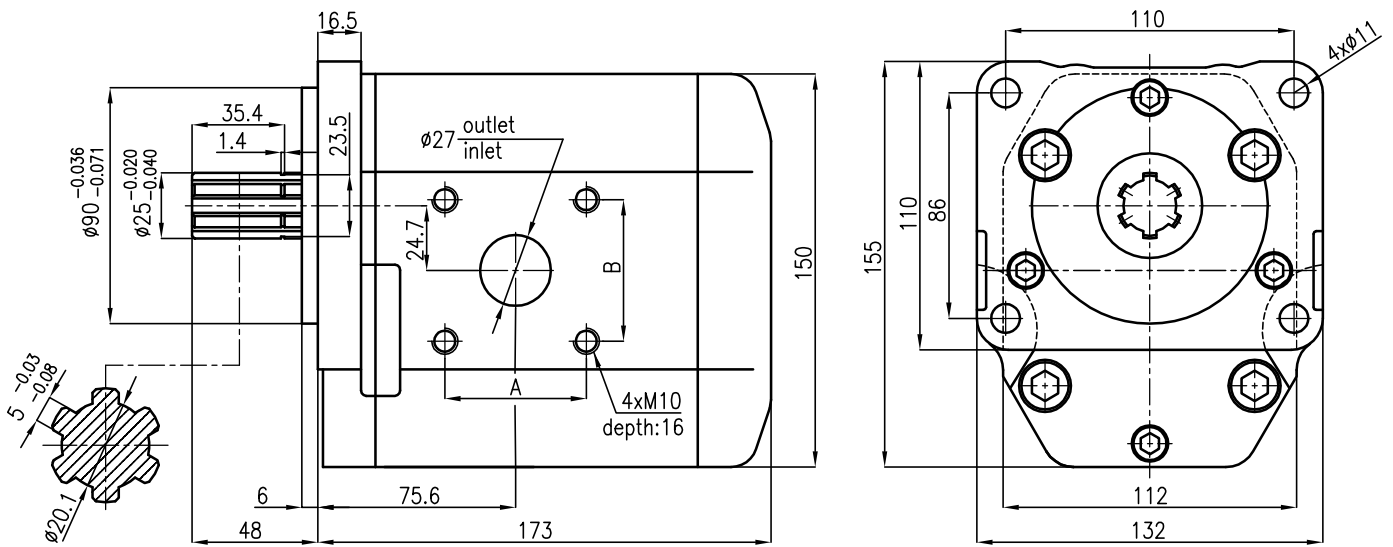




# NSz50 technical drawing



Pump designation	Dimension	
	A	B
NSz50*	54	54

\* - direction of rotation P- clockwise; L- counter clockwise