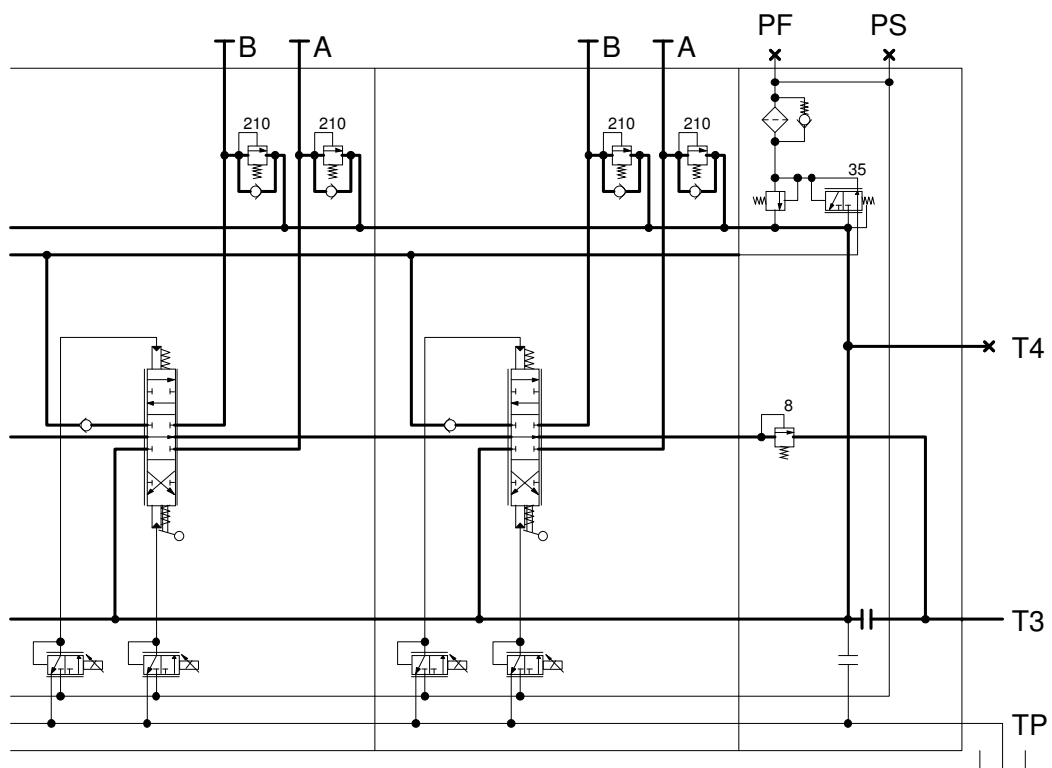


## Hydraulic diagram

Date of issue: 2015-07-08  
 Printing date: 2015-07-09  
 Latest update: 2015-07-09  
 SYBER version: 6.15  
 Option list edition: 26

Company: OK  
 Project name: Forest Crane  
 Application:

Customer specification number  
**P70CF-06-PL20-101**  
 Issued by: Piotr Strzelecki  
 Approved by:



## Hydraulic diagram

Date of issue: 2015-07-08  
 Printing date: 2015-07-09  
 Latest update: 2015-07-09  
 SYBER version: 6.15  
 Option list edition: 26

Company: OK  
 Project name: Forest Crane  
 Application:

Customer specification number  
**P70CF-06-PL20-101**

Issued by: Piotr Strzelecki  
 Approved by: