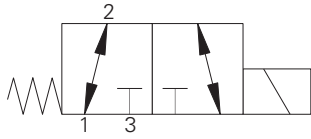


SV4-10-3/3P/3S - Solenoid valve

Spool type, 3-way, 2-position
Up to 23 L/min (6 USgpm) • 210 bar (3000 psi)

A



Operation

In the de-energized position this valve allows flow from port 2 to 1 while port 3 is blocked.
In the energized position flow is allowed from port 2 to port 3 while port 1 is blocked.

Performance data

Ratings and specifications

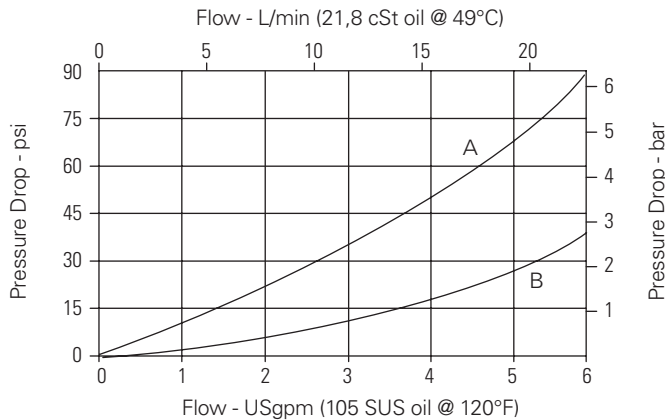
Performance data is typical with fluid at 21,8 cSt (105 SUS) and 49°C (120°F)

Typical application pressure	210 bar (3000 psi)* *Flow from P1 to P2 must be less than 7,6 L/min (2 USgpm)
Rated flow	23 L/min (6 USgpm) Max. flow port 1 to port 2-10 L/min (2.5 USgpm)
Internal leakage	164 cm ³ /min (10 in ³ /min) max @ 210 bar (3000 psi)
Temperature range	-40° to 120°C (-40° to 248°F)
Cavity	C-10-3
Weight including coil	0,42 kg (0.93 lbs)
Fluids	All general purpose hydraulic fluids such as: MIL-H-5606, SAE 10, SAE 20 etc.
Filtration	Cleanliness code 18/16/13
Seal kit	889624 (Buna-N), 889628 (Viton®)

Viton is a registered trademark of E.I. DuPont

Pressure drop

Cartridge only



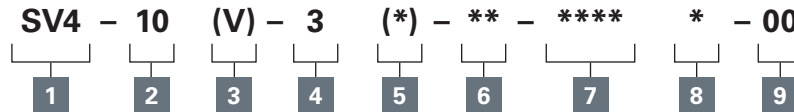
- A** - Port 3 to port 2 energized
- B** - Port 2 to port 1 de-energized

Where measurements are critical request certified drawings. We reserve the right to change specifications without notice.

SV4-10-3/3P/3S - Solenoid valve

Spool type, 3-way, 2-position
Up to 23 L/min (6 USgpm) • 210 bar (3000 psi)

Model code



A

1 Function

SV4 - Solenoid valve

2 Size

10 - 10 size

3 Seal material

Blank - Buna-N

V - Viton®

4 Style

3 - 3-way, 2 position

5 Manual override option

Blank - No manual override

M - Manual override

P - Push type

S - Screw type

For valve dimensions with Manual override option installed see page A-980.

6 Port size

Code	Port size	Housing number
0	Cartridge only	
3B	3/8" BSPP	02-173358*
6T	SAE6	566162*
2G	1/4" BSPP	876705
3G	3/8" BSPP	876714
6H	SAE 6	876704
8H	SAE 8	876711

*Light duty housing.
See section J for housings.

8 Connector types

Blank - No coil

G - ISO 4400 DIN 43650

W - Flying lead

N - Deutsch (DC only)

Y - Amp JR (DC only)

D - Metripack 150 male (DC only)

J - Metripack 280 male (DC only)

E - Weather-Pack female

F - Weather-Pack male

For coil dimensions see section C.

9 Special features

00 - None

(Only required if valve has Special features, omitted if "00.")

Note: Use J series, 23 W coils with this solenoid valve.

7 Voltage rating

00 - No coil

230A - 230VAC

12D - 12VDC

12B - 12VDC/w diode*

24D - 24VDC

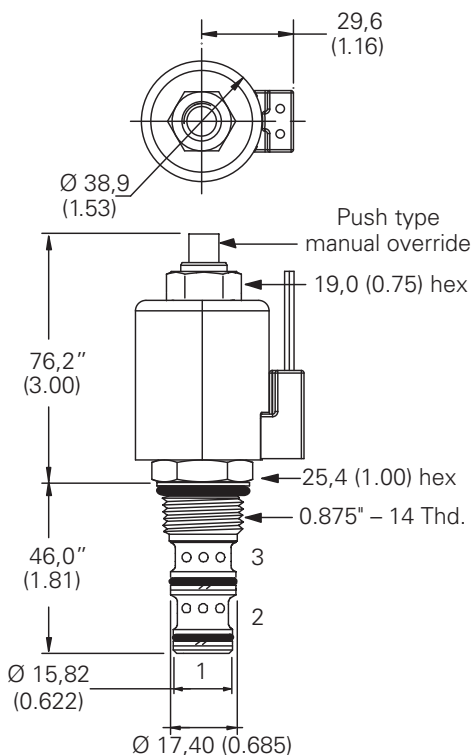
24B - 24VDC/w diode*

115A - 115VAC

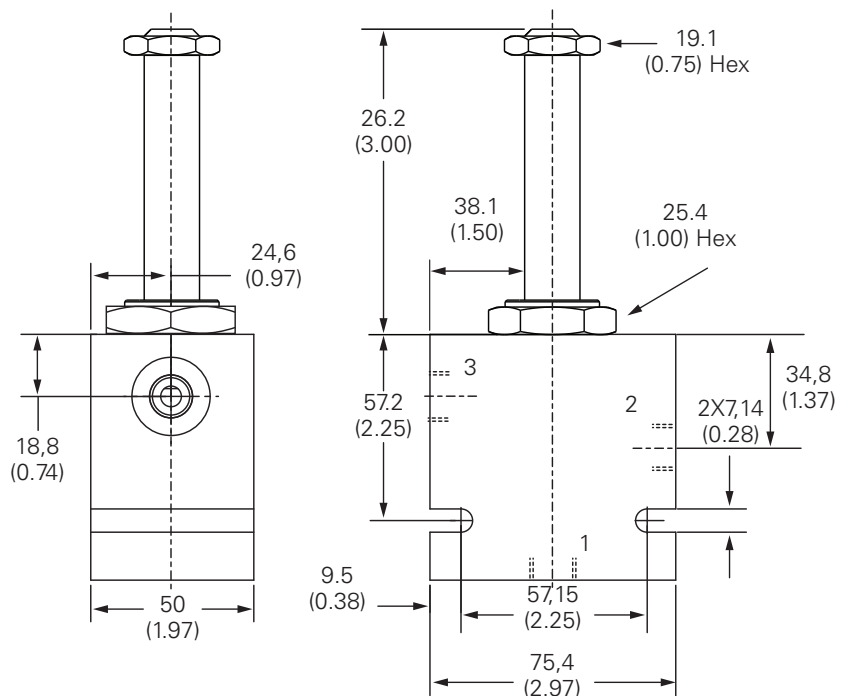
*Optional arc suppression diode.

Dimensions - mm (inch)

Cartridge only



Installation drawing



Where measurements are critical request certified drawings. We reserve the right to change specifications without notice.