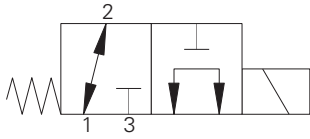


# SV11M-10-3

Spool type, 3-way, 2-position  
Up to 23 L/min (6 USgpm) • 350 bar (5000 psi)

A



## Operation

In the de-energized position this valve allows flow from port 1 to 2 while port 3 is blocked.  
In the energized position flow is allowed from port 3 to port 1 while port 2 is blocked.

## Performance data

### Ratings and specifications

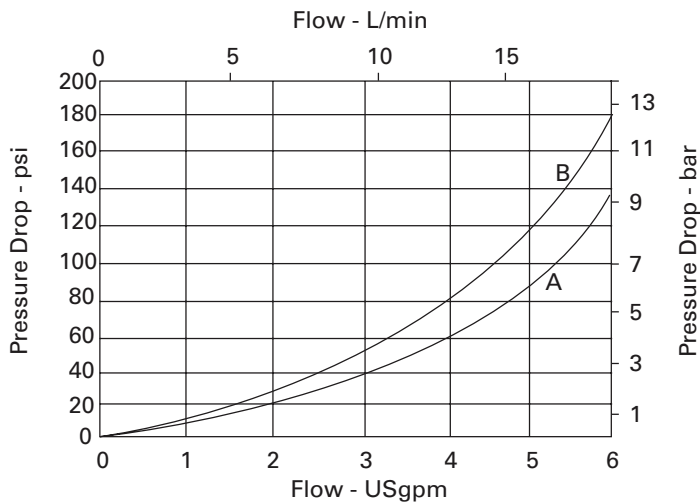
Performance data is typical with fluid at 21,8 cSt (105 SUS) and 49°C (120°F)

Typical application pressure (all ports except port 1)	350 bar (5000 psi)
Typical application pressure at port 1	210 bar (3000 psi)
Rated flow	23 L/min (6 USgpm)
Internal leakage	350 cc/min (21 in <sup>3</sup> /min) @ 210 bar (3000 psi)
Temperature range	-40° to 120°C (-40° to 248°F)
Coil duty	Continuous from 85% to 110% of nominal voltage
Cavity	C-10-3
Fluids	MIL-H-5606, SAE 10, SAE 20, etc.
Filtration Cleanliness code	18/16/13
Standard housing materials	Steel
Weight including coil	0.42 kg (0.92 lbs)
Seal kit	Buna-N), (Viton®)

Viton is a registered trademark of E.I. DuPont

## Pressure drop

Cartridge only



## Pressure drop vs. Flow

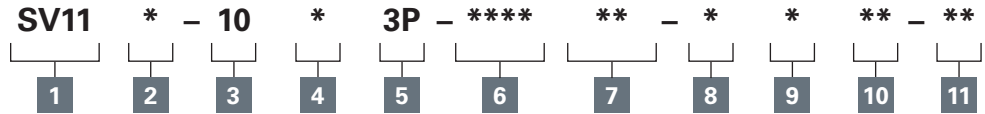
A - Port 1 to port 2

B - Port 3 to port 1

Where measurements are critical request certified drawings. We reserve the right to change specifications without notice.

Spool type, 3-way, 2-position  
Up to 23 L/min (6 USgpm) • 350 bar (5000 psi)

## Model code



A

### 1 Function

SV11 - Solenoid valve

### 2 Max flow

M - 23 L/min (6 USgpm)

### 3 Size

10 - 10 Size

### 4 Seal material

Blank - Buna-N

V - Viton®

### 5 Syle

3P - 3 way push type manual override

For valve dimensions with Manual override option installed see page A-980.

### 6 Port size

Code	Port size	Housing number	
		Aluminium	Steel
0	Cartridge only		
A2G	1/4" BSPP	876705	
A3G	3/8" BSPP	876710	
A6H	SAE 6	876704	
A8H	SAE 8	876711	
S2G	1/4" BSPP		02-175127
S3G	1/3" BSPP		02-175128
S6T	SAE 6		02-175124
S8T	SAE 8		02-175125

See section J for housing details.

### 7 Voltage rating

00 - No coil

12D - 12VDC

24D - 24VDC

12B - 12VDC/w diode\*

24B - 24VDC/w diode\*

\*Optional arc suppression diode

### 8 Connector types

Blank - No coil

G0 - ISO 4400 DIN 43650

N0 - Deutsch male, DT04-2P, integrated

Y0 - Integrated Amp DC

D0 - MetriPack® 150 Male, Integrated (DC Only)  
Mating connector : Delphi 12052641.

### 9 Coil types

Blank - No coil

R - R series, (30W) used for SV11B-10

### 10 Coil special features

Blank - No coil

00 - No special feature

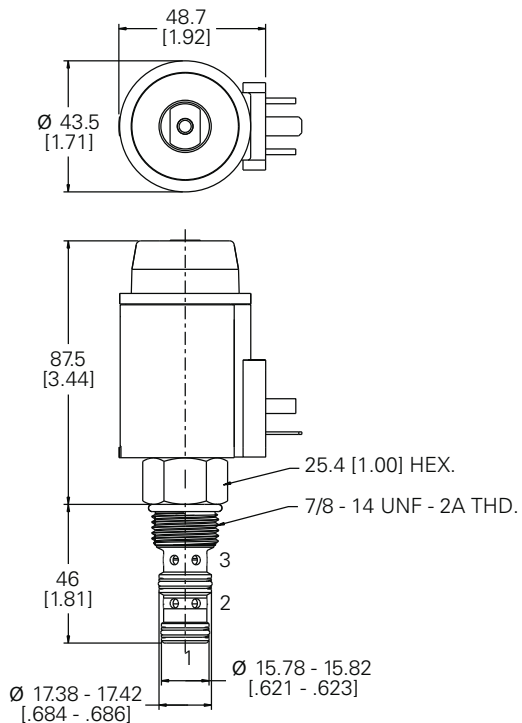
### 11 Special features

00 - None

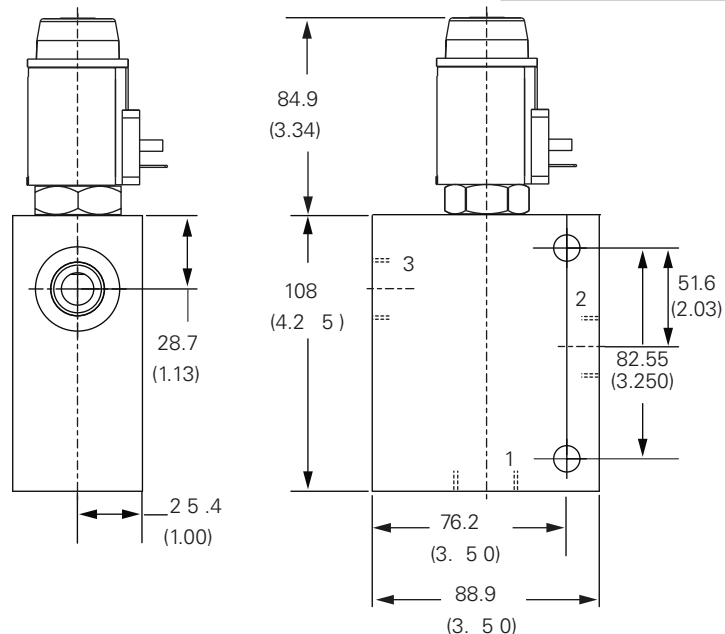
(Only required if valve has Special features, omitted if "00".)

## Dimensions - mm (inch)

### Cartridge only



### Installation drawing



Where measurements are critical request certified drawings. We reserve the right to change specifications without notice.