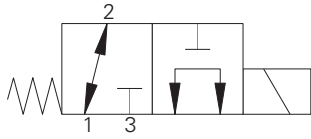


SV1 1-10-3/3M - Solenoid valve

Spool type, 3-way, 2-position
Up to 23 L/min (6 USgpm) • 350 bar (5000 psi)

A



Operation

In the de-energized position this valve allows flow from port 2 to 1 while port 3 is blocked.
In the energized position flow is allowed from port 1 to port 3 while port 2 is blocked.

Performance data

Ratings and specifications

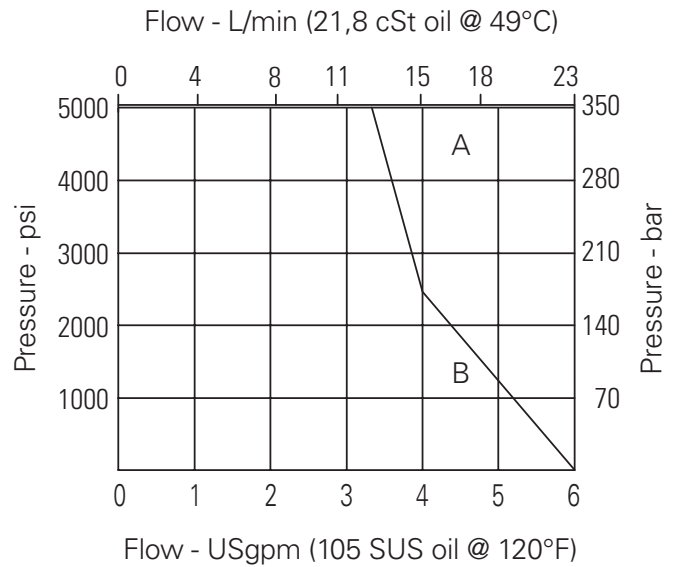
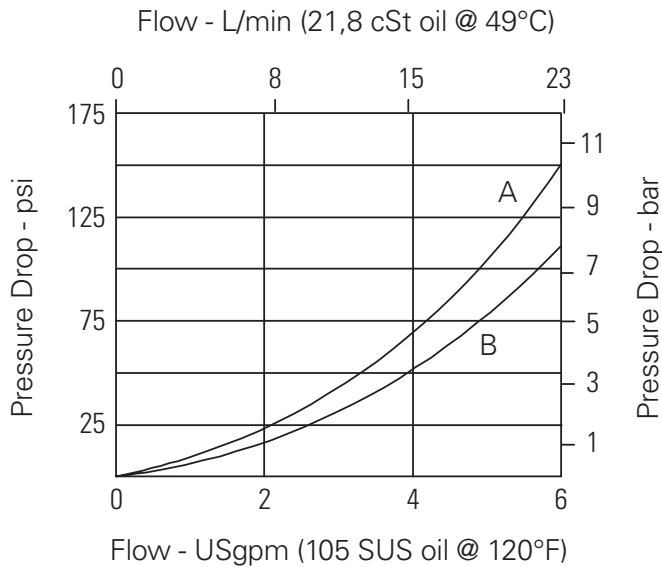
Performance data is typical with fluid at 21,8 cSt (105 SUS) and 49° C (120° F)

Typical Application pressure (all ports)	350 bar (5000 psi)
Rated Flow	23L/min (6 USgpm)
Internal leakage, port 2 to port 1	164 cm ³ /min (10 in ³ /min) max at 350 bar (5000 psi)
Temperature range	-40° to 100° C (-40° to 212° F)
Cavity	C-10-3
Weight Cartridge only	0,19 kg (0.42 lbs)
Fluids	All general purpose hydraulic fluids such as: MIL-H-5606, SAE 10, SAE 20 etc.
Filtration	Cleanliness code 18/16/13
Seal kit	889624 (Buna-N), 889628 (Viton®)

Viton is a registered trademark of E.I. DuPont

Pressure drop

Cartridge only



Pressure drop vs. Flow

- A - Port 3 to port 1
- B - Port 1 to port 2

Operating limits

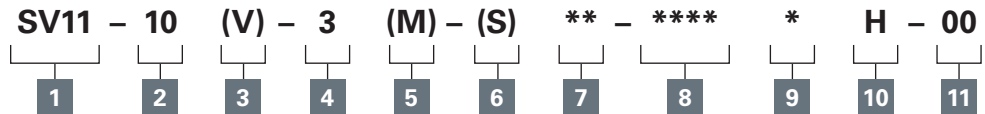
- A - Normally open, normally closed
- B - Selector 1 to 2

Where measurements are critical request certified drawings. We reserve the right to change specifications without notice.

SV11-10-3/3M - Solenoid valve

Spool type, 3-way, 2-position
Up to 23 L/min (6 USgpm) • 350 bar (5000 psi)

Model code



A

1 Function

SV11 - Solenoid valve

2 Size

10 - 10 size

3 Seal material

Blank - Buna-N

V - Viton®

4 Style

3 - 3 way, 2 position

5 Manual override option

Blank - No manual override

M - Manual override

For valve dimensions with Manual override option installed see page A-980.

6 Valve housing material

Blank - Cartridge only

S - Steel

7 Port size

Code	Port size	Housing number
0	Cartridge only	
2G	1/4" BSPP	02-175127
3G	3/8" BSPP	02-175128
6T	SAE 6	02-175124
8T	SAE 8	02-175125

See section J for housing details.

9 Connector types

Blank - No coil

G - ISO 440 DIN 43650

W - Flying lead

N - Deutsch (DC only)

Y - Amp JR (DC only)

D - Metripack 150 male (DC only)

J - Metripack 280 male (DC only)

E - Weather-Pack (Packard) female on wire leads

F - Weather-Pack (Packard) male on wire leads

10 Coil series

H - 10 series, 29 W

For coil dimensions see section C.

11 Special features

00 - None

(Only required if valve has Special features, omitted if "00".)

8 Voltage rating

00 - No coil

12D - 12VDC

24D - 24VDC

115A - 115VAC

230A - 230VAC

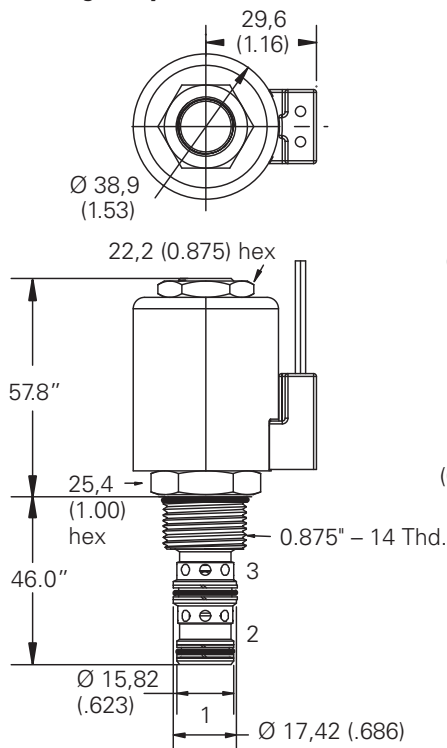
12B - 12VDC/w diode*

24B - 24VDC/w diode*

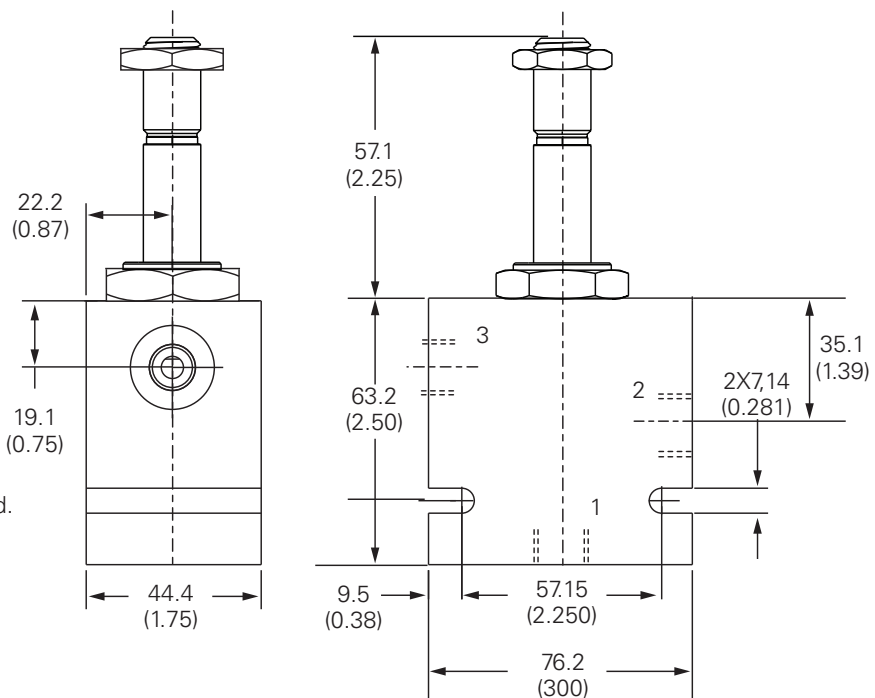
*Optional arc suppression diode

Dimensions - mm (inch)

Cartridge only



Installation drawing



Where measurements are critical request certified drawings. We reserve the right to change specifications without notice.