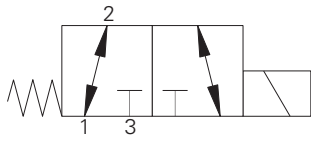


SV4-8-3/3P - Solenoid valve

Spool type 3-way, 2-position
13 L/min (4 USgpm) • 210 bar (3000 psi)

A



Operation

In the de-energized position this valve allows flow from port 2 to 1 while port 3 is blocked.
In the energized position flow is allowed from port 2 to port 3 while port 1 is blocked.

Performance data

Ratings and specifications

Performance data is typical with fluid at 21,8 cSt (105 SUS) and 49°C (120°F)

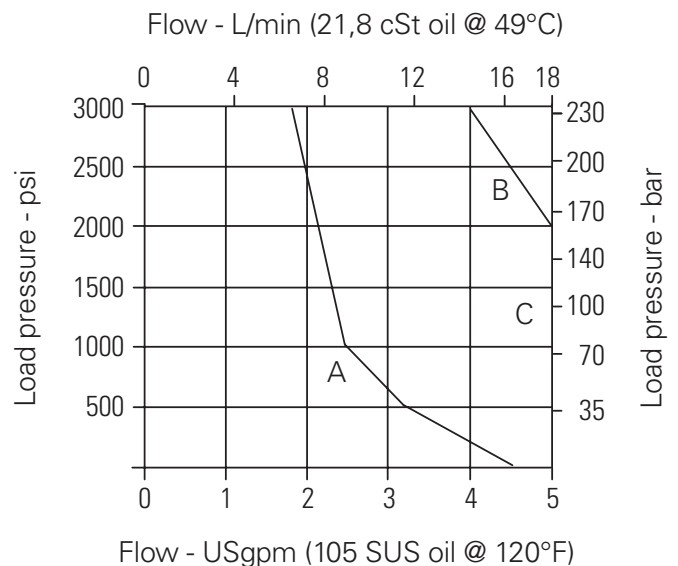
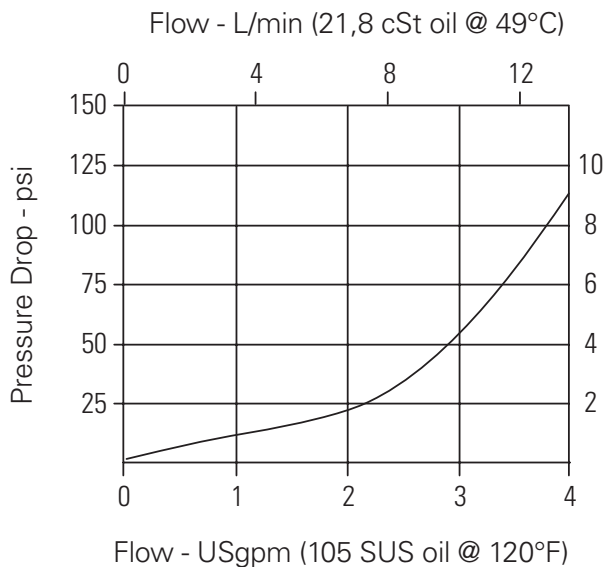
Typical application pressure (all ports)	210 bar (3000 psi)
Rated flow	13 L/min (4 USgpm)
Internal leakage	82 cm ³ /min (5 in ³ /min) max @ 210 bar (3000 psi)
Temperature range	-40° to 120°C (-40° to 248°F)
Response times (100% rated voltage and flow)	Energize: 22 ms De-Energize: 27 ms
Cavity	C-8-3
Weight including coil	0,29 kg (0.64 lbs)
Fluids	All general purpose hydraulic fluids such as: MIL-H-5606, SAE 10, SAE 20 etc.
Filtration	Cleanliness code 18/16/13
Seal kit	02-160755 (Buna-N), 02-160756 (Viton®)

Viton is a registered trademark of E.I. DuPont

Note: Pressure on port 1 should not exceed 20 bar (300 psi).

Pressure drop

Cartridge only



Pressure drop vs. Flow

Port 2 to 1 and
port 2 to port 3

Operating Limits

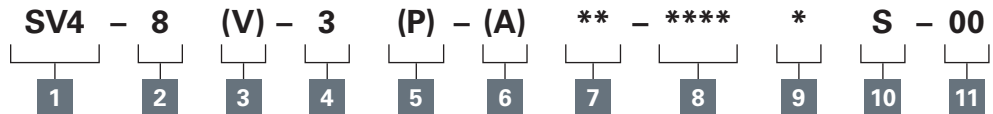
- A** - Normally open port 1 to port 2
- B** - Normally closed port 3 to port 1
- C** - Selector 2 to 1 and 2 to 3

Where measurements are critical request certified drawings. We reserve the right to change specifications without notice.

SV4-8-3/3P - Solenoid valve

Spool type 3-way, 2-position
13 L/min (4 USgpm) • 210 bar (3000 psi)

Model code



A

- 1 Function**
SV4 - Solenoid valve

- 2 Size**
8 - 8 size

- 3 Seal material**
Blank - Buna-N
V - Viton®

- 4 Style**
3 - 3-way, 2 position

- 5 Manual override option**
Blank - No manual override
P - Push type
For valve dimensions with manual override option installed see page A-980.

- 6 Valve housing material**
Omit for cartridge only
A - Aluminum

7 Port size

Code	Port size	Housing number
0	Cartridge only	
2G	1/4" BSPP	02-160739
3G	3/8" BSPP	02-160740
4T	SAE 4	02-160741
6T	SAE 6	02-160742

See section J for housing details.

8 Voltage rating

00 - No coil	230A - 230VAC
12D - 12VDC	12B - 12VDC/w diode*
24D - 24VDC	24B - 24VDC/w diode*
115A - 115VAC	

*Optional arc suppression diode.

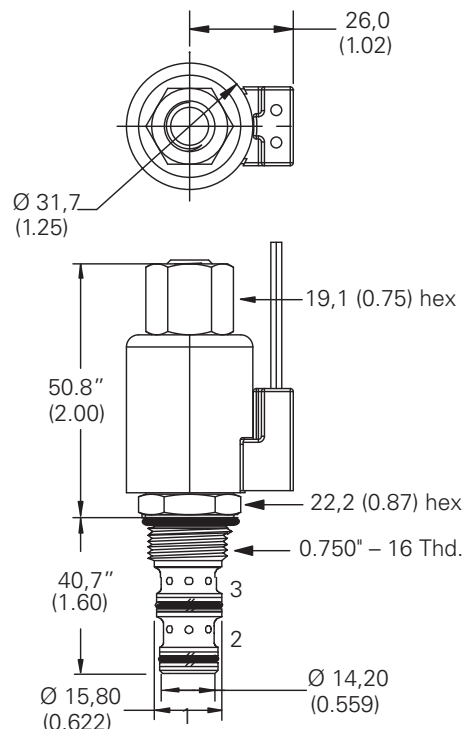
- 9 Connector types**
Blank - No coil
G - ISO 4400 DIN 43650
W - Flying lead
N - Deutsch (DC only)
Y - Amp JR (DC only)
D - Metripack 150 male (DC only)
J - Metripack 280 male (DC only)
E - Weather-Pack (Packard) female on wire leads
F - Weather-Pack (Packard) male on wire leads

- 10 Coil series**
S - 8 series, 20 W
For coil part numbers and dimensions see section C.

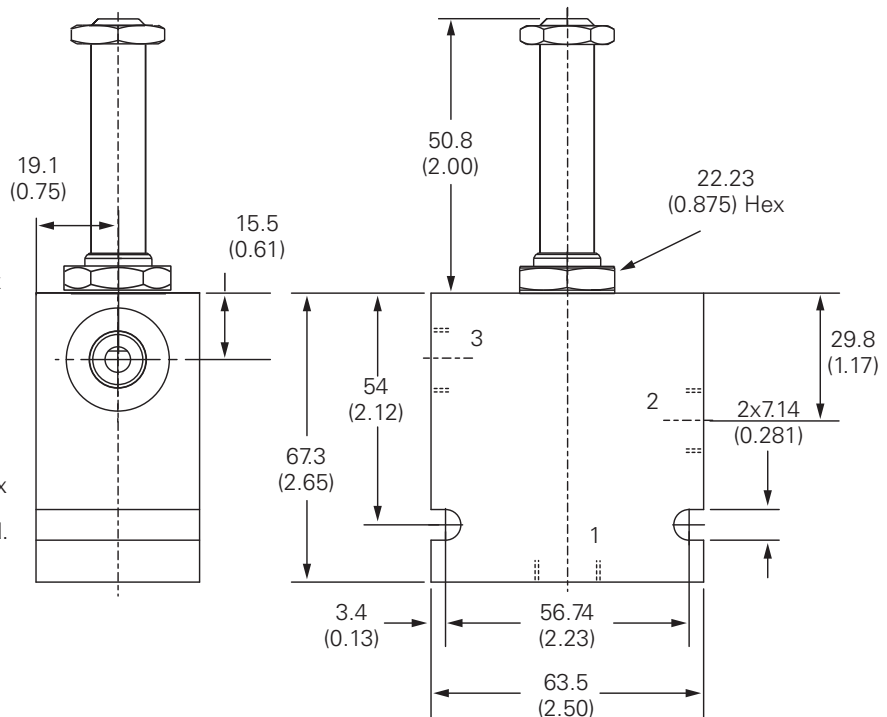
- 11 Special features**
00 - None
(Only required if valve has special features, omitted if "00".)

Dimensions - mm (inch)

Cartridge only



Installation drawing



Where measurements are critical request certified drawings. We reserve the right to change specifications without notice.