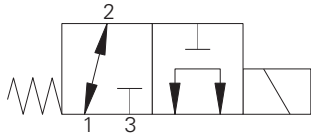


# SV1 1-8-3/3M - Solenoid valve

Spool type 3-way, 2-position  
 11 L/min (3 USgpm) • 350 bar (5000 psi)

A



## Operation

In the de-energized position this valve allows flow from port 2 to 1 while port 3 is blocked.  
 In the energized position flow is allowed from port 1 to port 3 while port 2 is blocked.

## Performance data

### Ratings and specifications

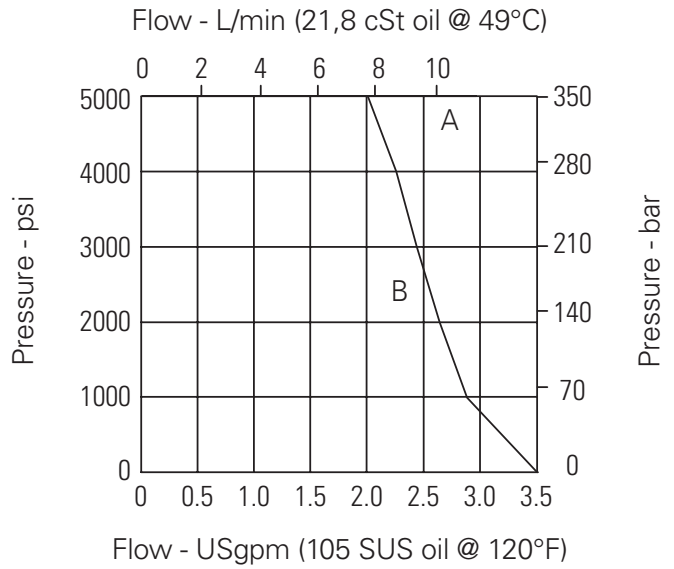
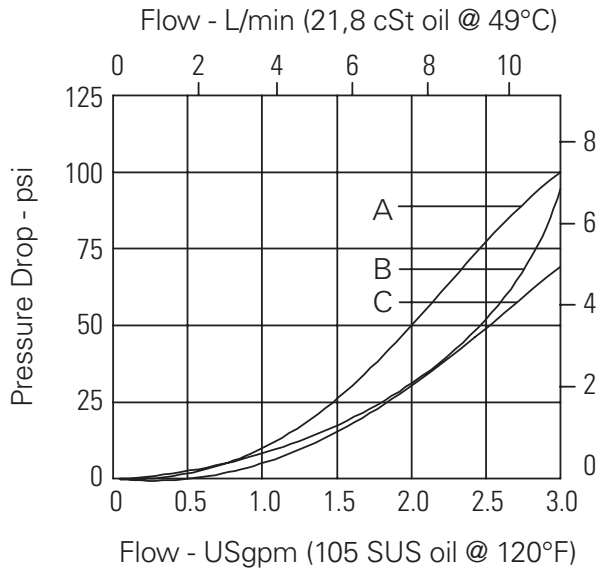
Performance data is typical with fluid at 21,8 cSt (105 SUS) and 49°C (120°F)

Typical application pressure (all ports)	350 bar (5000 psi)
Rated flow	11 L/min (3 USgpm)
Internal leakage, combined port 2 and port 1	140 cm <sup>3</sup> /min (8.5 in <sup>3</sup> /min) max @ 350 bar (5000 psi)
Temperature range	-40° to 100°C (-40° to 212°F)
Cavity	C-8-3
Weight Cartridge only	0,13 kg (0.28 lbs)
Fluids	All general purpose hydraulic fluids such as: MIL-H-5606, SAE 10, SAE 20 etc.
Filtration	Cleanliness code 18/16/13
Seal kit	02-160755 (Buna-N), 02-160756 (Viton®)

Viton is a registered trademark of E.I. DuPont

## Pressure drop

Cartridge only



### Pressure drop vs. Flow

- A - Port 1 to 2 and 1 to 3
- B - Port 3 to 1
- C - Port 2 to 1

### Operating Limits

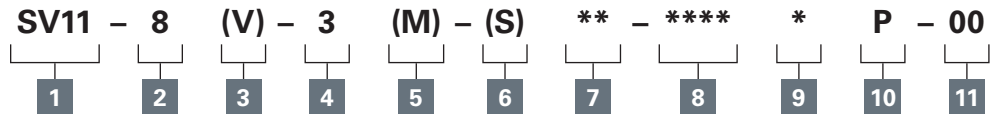
- A - Normally open & closed
- B - Selector 1 to 2 and 1 to 3

Where measurements are critical request certified drawings. We reserve the right to change specifications without notice.

# SV11-8-3/3M - Solenoid valve

Spool type 3-way, 2-position  
11 L/min (3 USgpm) • 350 bar (5000 psi)

## Model code



A

### 1 Function

SV11 - Solenoid valve

### 2 Size

8 - 8 size

### 3 Seal material

Blank - Buna-N  
V - Viton®

### 4 Style

3 - 3-way, 2 position

### 5 Manual override option

Blank - No manual override  
M - Manual override  
For valve dimensions with manual override option installed see page A-980.

### 6 Valve housing material

Blank - Cartridge only  
S - Steel

### 7 Port size

Code	Port size	Housing number
0	Cartridge only	
2G	1/4" BSPP	02-160743
3G	3/8" BSPP	02-160744
4T	SAE 4	02-160745
6T	SAE 6	02-160746

See section J for housing details.

### 8 Voltage rating

00 - No coil	230A - 230VAC
12D - 12VDC	12B - 12VDC/w diode*
24D - 24VDC	24B - 24VDC/w diode*
115A - 115VAC	*Optional arc suppression diode.

### 9 Connector types

Blank - No coil  
G - ISO 4400 DIN 43650  
W - Flying lead  
N - Deutsch (DC only)  
Y - Amp JR (DC only)  
D - Metripack 150 male (DC only)  
J - Metripack 280 male (DC only)  
F - Weather-Pack (Packard) male on wire leads

### 10 Coil series

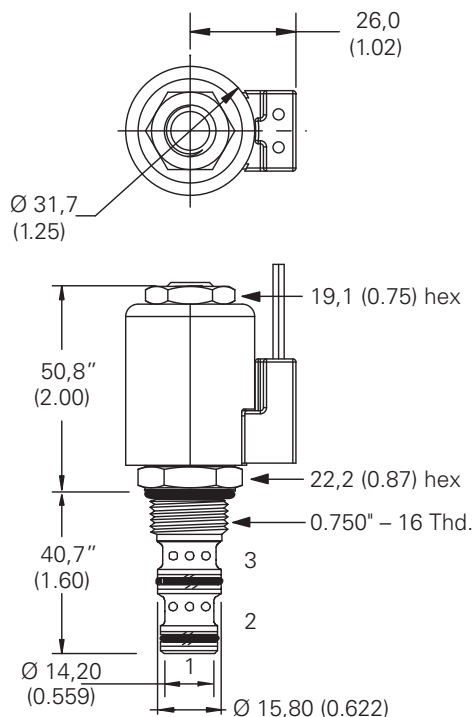
P - 8 series, 23 W  
For coil part numbers and dimensions see section C.

### 11 Special features

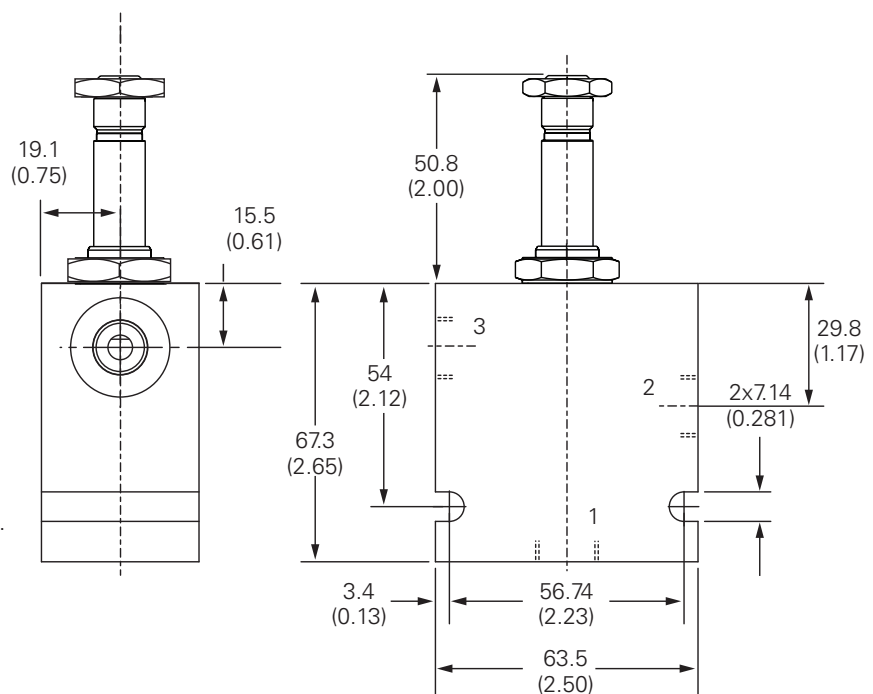
00 - None  
(Only required if valve has special features, omitted if "00".)

## Dimensions - mm (inch)

### Cartridge only



### Installation drawing



Where measurements are critical request certified drawings. We reserve the right to change specifications without notice.