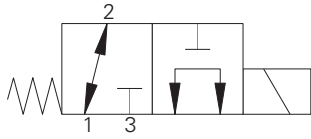


SV1-8-3/3M - Solenoid valve

Spool type, 3-way, 2-position
 11 L/min (3 USgpm) • 210 bar (3000 psi)

A



Operation

In the de-energized position this valve allows flow from port 1 to 2 while port 3 is blocked.
 In the energized position flow is allowed from port 3 to port 1 while port 2 is blocked.

Performance data

Ratings and specifications

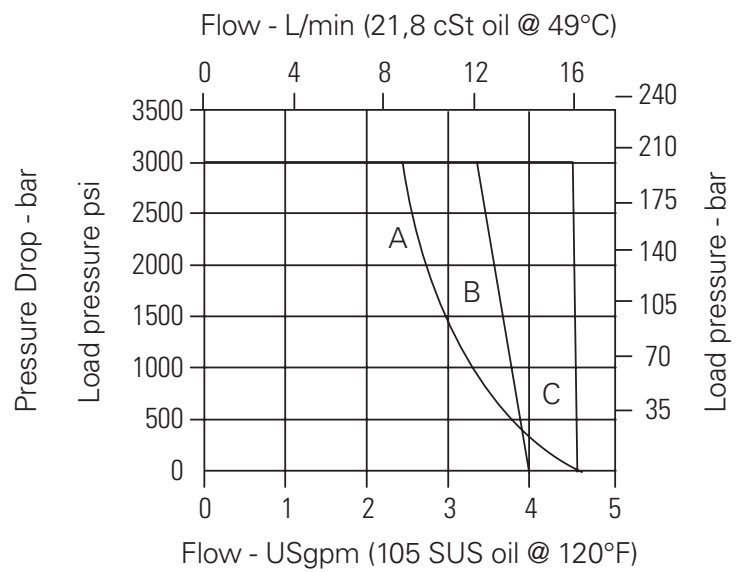
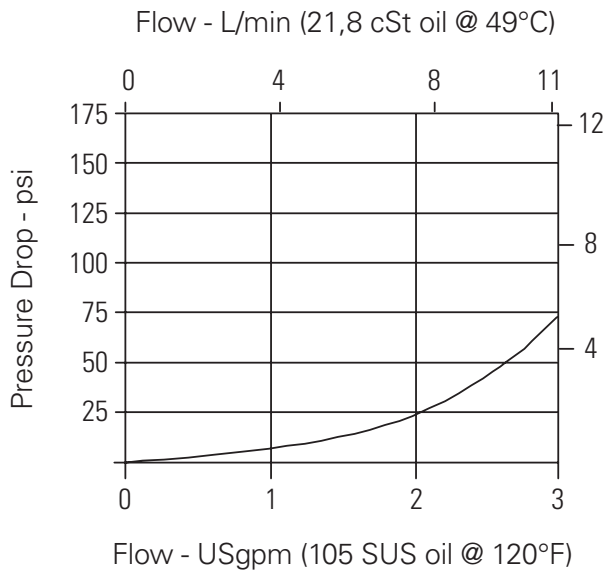
Performance data is typical with fluid at 21,8 cSt (105 SUS) and 49°C (120°F)

Typical application pressure (all ports)	210 bar (3000 psi)
Rated flow	11 L/min (3 USgpm)
Internal leakage (per land)	82 cm ³ /min (5 in ³ /min) max @ 210 bar (3000 psi)
Temperature range	-40° to 120°C (-40° to 248°F)
Coil duty	Continuous from 85% to 110% of nominal voltage
Cavity	C-8-3
Weight including coil	0,30 kg (0.66 lbs)
Fluids	All general purpose hydraulic fluids such as: MIL-H-5606, SAE 10, SAE 20 etc.
Filtration	Cleanliness code 18/16/13
Seal kit	02-160755 (Buna-N), 02-160756 (Viton®)

Viton is a registered trademark of E.I. DuPont

Pressure drop

Cartridge only



Pressure drop vs. Flow

Operating Limits

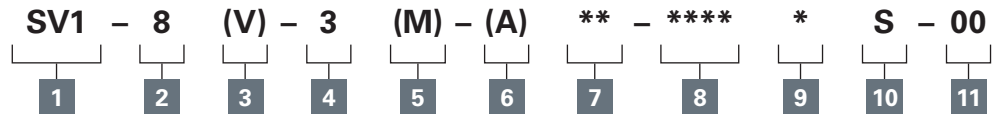
- A** - Selector 1 to 3
- B** - Normally Open
- C** - Normally closed and Selector 1 to 2

Where measurements are critical request certified drawings. We reserve the right to change specifications without notice.

SV1-8-3/3M - Solenoid valve

Spool type, 3-way, 2-position
11 L/min (3 USgpm) • 210 bar (3000 psi)

Model code



A

- 1 Function**
SV1 - Solenoid valve

- 2 Size**
8 - 8 size

- 3 Seal material**
Blank - Buna-N
V - Viton®

- 4 Style**
3 - 3-way, 2 position

- 5 Manual override option**
Blank - No manual override
M - Knob type
For valve dimensions with manual override option installed see page A-980.

- 6 Valve housing material**
Omit for Cartridge only
A - Aluminum

7 Port size

Code	Port size	Housing number
0	Cartridge only	
2G	1/4" BSPP	02-160739
3G	3/8" BSPP	02-160740
4T	SAE 4	02-160741
6T	SAE 6	02-160742

See section J for housing details.

- 9 Connector types**
Blank - No coil
G - ISO 4400 DIN 43650
W - Flying lead
N - Deutsch (DC only)
Y - Amp JR (DC only)
D - Metripack 150 male (DC only)
J - Metripack 280 male (DC only)
E - Weather-Pack (Packard) female on wire leads
F - Weather-Pack (Packard) male on wire leads

8 Voltage rating

Blank - No coil	230A - 230VAC
12D - 12VDC	12B - 12VDC/w diode*
24D - 24VDC	24B - 24VDC/w diode*
115A - 115VAC	

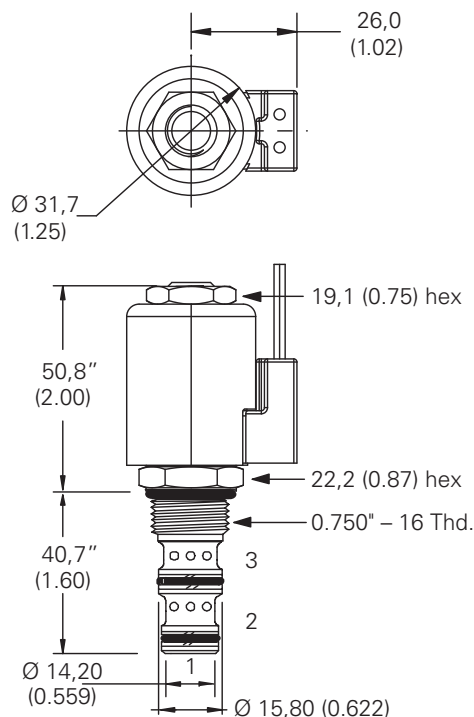
*Optional arc suppression diode.

- 10 Coil series**
S - 8 series, 20 W
For coil part numbers and dimensions see section C.

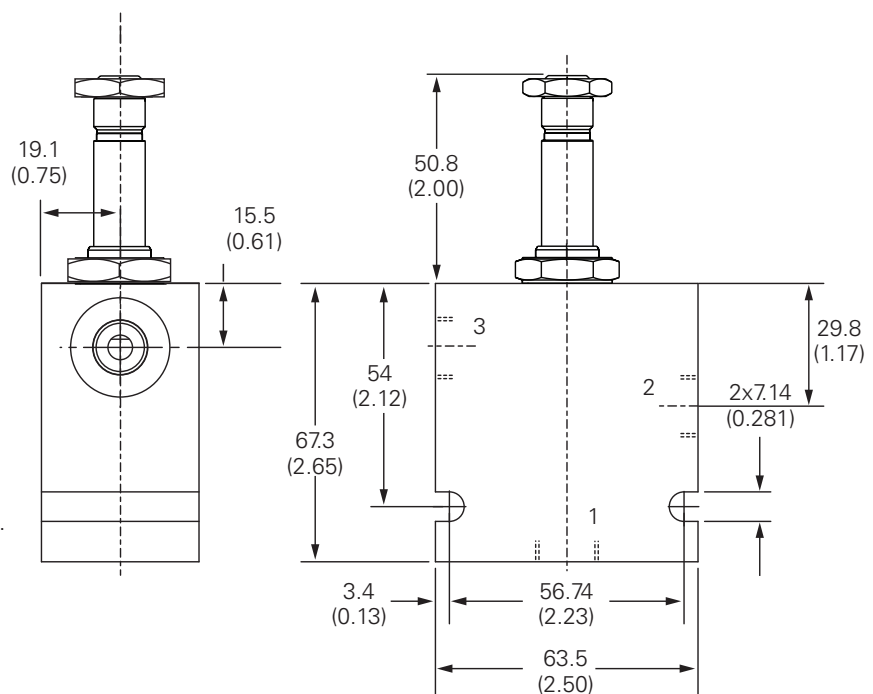
- 11 Special features**
00 - None
(Only required if valve has special features, omitted if "00".)

Dimensions - mm (inch)

Cartridge only



Installation drawing



Where measurements are critical request certified drawings. We reserve the right to change specifications without notice.