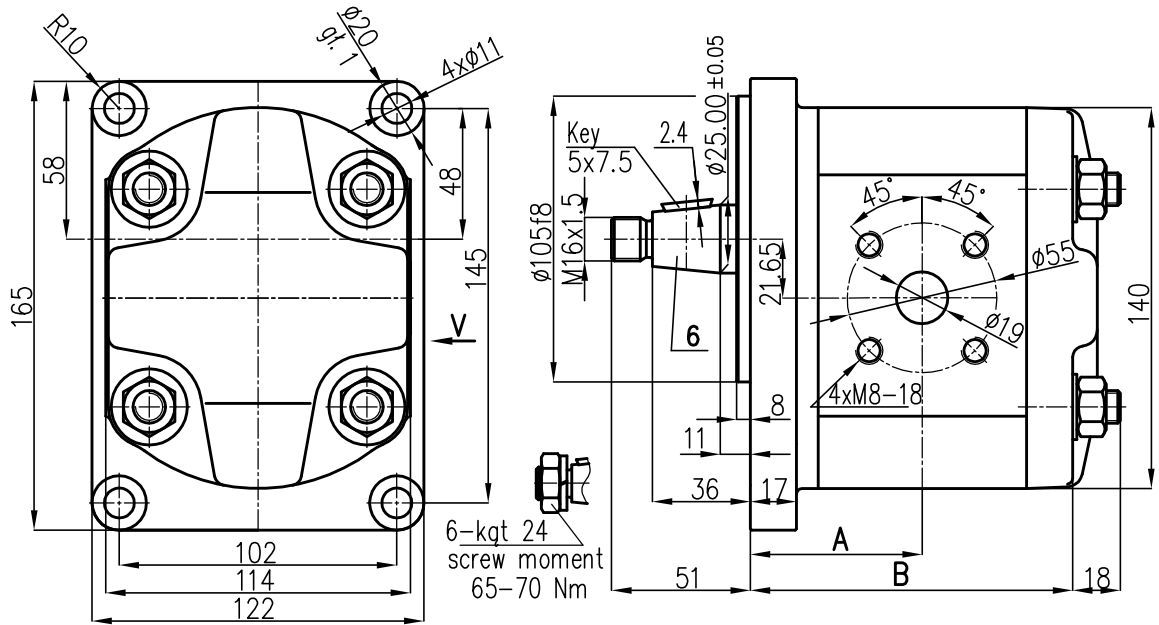
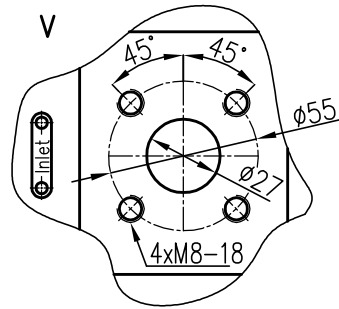




3PZ4-6 technical drawing



Geom. displac. ccm/rot	Pump design.	Dimmension	
		A	B
16	3PZ4-16/28-x-z66	59.5	111.1
20	3PZ4-20/28-x-z66	61.2	114.4
25	3PZ4-25/28-x-z66	63.2	118.5
28	3PZ4-28/28-x-z66	64.5	120.0
32	3PZ4-32/28-x-z66	66.1	124.3
40	3PZ4-40/22-x-z66	69.4	130.9



x - direction of rotation: 1-counter clockwise; 2-clockwise
 z - shaft : 6 - taper 1:5
 8 - splined B22x19xe9 acc.to DIN 5482

