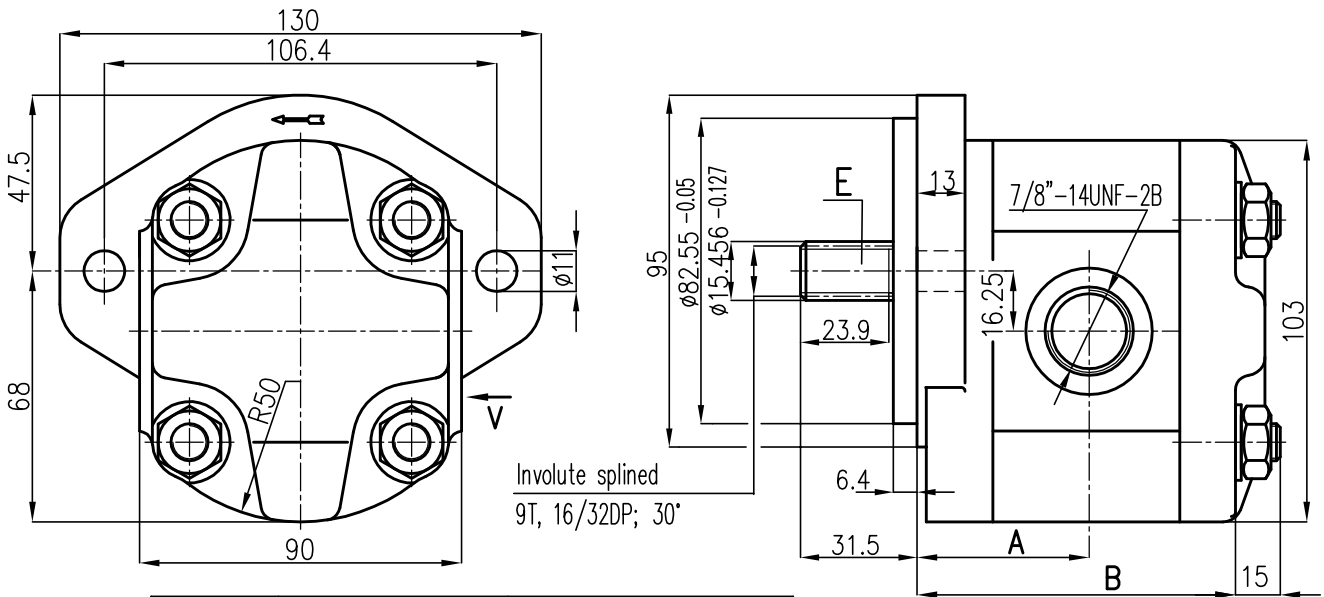


# 2PZ4-8 technical drawing



| Geom. displac. ccm/rot | Pump designation  | Dimension |       |                    |
|------------------------|-------------------|-----------|-------|--------------------|
|                        |                   | A         | B     | C                  |
| 4                      | 2PZ4-4/21-x-z87   | 45.5      | 85.4  | 7/8"<br>14UNF-2B   |
| 6.3                    | 2PZ4-6.3/21-x-z87 | 47.1      | 88.7  |                    |
| 8                      | 2PZ4-8/21-x-z87   | 48.4      | 91.2  |                    |
| 11                     | 2PZ4-11/21-x-z87  | 50.5      | 95.6  | 1-1/16"<br>12UN-2B |
| 14                     | 2PZ4-14/21-x-z87  | 52.7      | 99.9  |                    |
| 16                     | 2PZ4-16/16-x-z87  | 54.2      | 102.9 |                    |
| 20                     | 2PZ4-20/14-x-z87  | 57.2      | 108.8 |                    |

x - direction of rotation: 1-counter clockwise; 2-clockwise  
 z - shaft: A-cylindrical acc.to SAE  
 E-splined acc.to SAE

