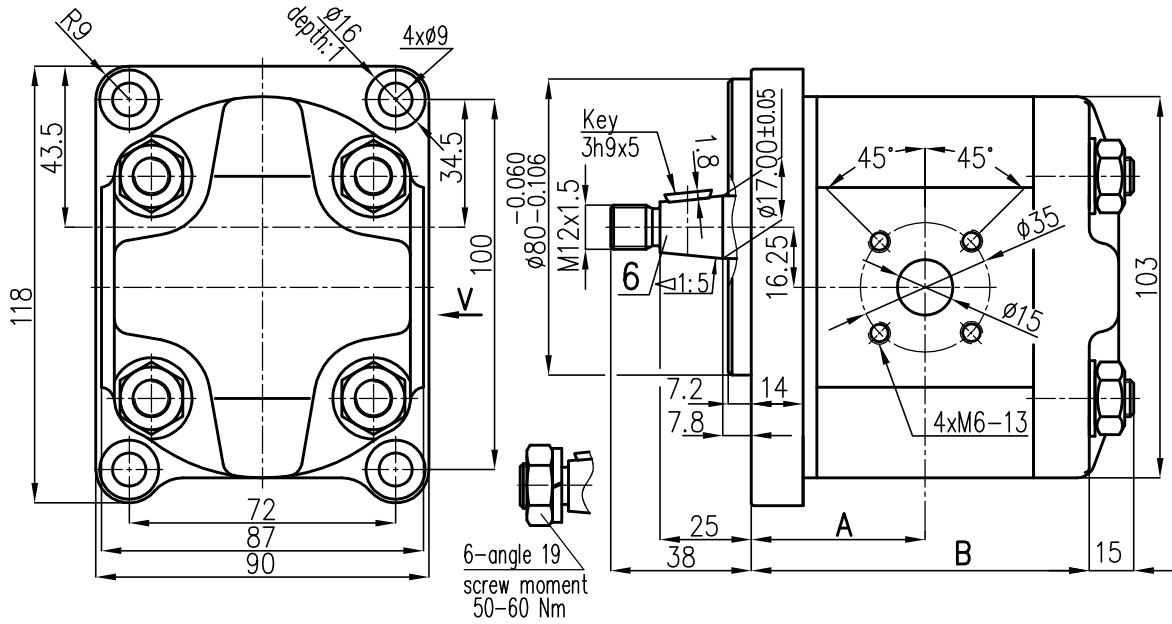
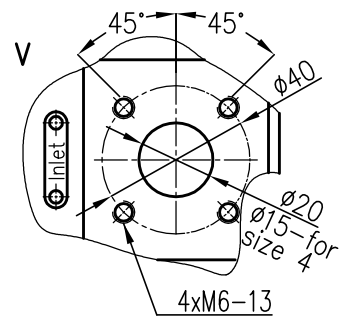


2PZ4-6 technical drawing



Geom. displac. ccm/rot	Pump designation	Dimension	
		A	B
4	2PZ4-4/28-x-z66	42.7	82.6
5.5	2PZ4-5.5/28-x-z66	43.7	84.7
6.3	2PZ4-6.3/28-x-z66	44.3	85.9
8	2PZ4-8/28-x-z66	45.6	88.4
11	2PZ4-11/28-x-z66	47.8	92.8
14	2PZ4-14/25-x-z66	49.9	97.1
16	2PZ4-16/22-x-z66	51.4	100.1
20	2PZ4-20/22-x-z66	54.4	106.0
22	2PZ4-22/22-x-z66	55.8	109.0



x - direction of rotation: 1-counter clockwise; 2-clockwise

z - shaft:

6-1:5 taper

8-splined B17x14xe9 acc.to DIN 5482

