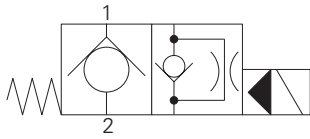


SV1-10-C - Solenoid valve

Poppet type, 2-way, 2-position, normally closed
 45 L/min (12 USgpm) • 210 bar (3000 psi)

A



Operation

In the de-energized position the valve blocks flow from port 2 to 1 and free flow is allowed from port 1 to 2.

When the solenoid is energized the pilot poppet is pulled off the seat allowing the valve to open from port 2 to 1. in the reverse direction the flow is restricted by the pilot orifice.

Performance data

Ratings and specifications

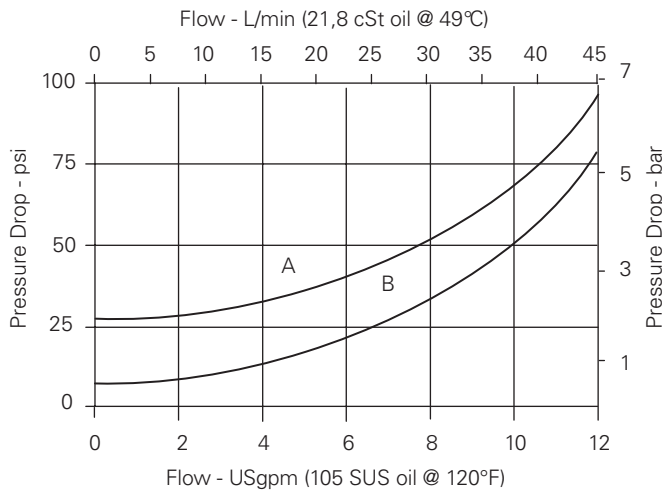
Performance data is typical with fluid at 21,8 cSt (105 SUS) and 49°C (120°F)

Typical application pressure (all ports)	210 bar (3000 psi)
Rated flow	45 L/min (12 USgpm)
Internal leakage	Less than 5 drops/min. max @ 210 bar (3000 psi)
Response times (100% rated voltage and flow)	Energize: 18 ms, de-energize: 46 ms
Temperature range	-40° to 120°C (-40° to 248°F)
Cavity	C-10-2
Weight including coil	0,4 kg (0.087 lbs)
Fluids	All general purpose hydraulic fluids such as: MIL-H-5606, SAE 10, SAE 20 etc.
Filtration	Cleanliness code 18/16/13
Seal kit	565803 (Buna-N), 566086 (Viton®)

Viton is a registered trademark of E.I. DuPont

Pressure drop

Cartridge only



Pressure drop vs. Flow

A - Port 1 to port 2 de-energized

B - Port 2 to port 1 energized

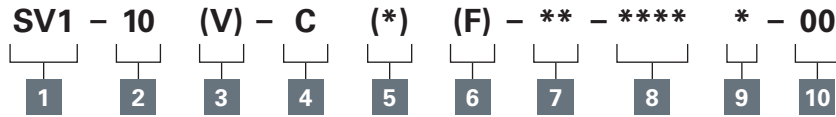
Where measurements are critical request certified drawings. We reserve the right to change specifications without notice.

SV1-10-C - Solenoid valve

Poppet type, 2-way, 2-position, normally closed
45 L/min (12 USgpm) • 210 bar (3000 psi)

A

Model code



1 Function

SV1 - Solenoid valve

2 Size

10 - 10 size

3 Seal material

Blank - Buna-N

V - Viton®

4 Style

C - Normally closed

5 Manual override option

Blank - No manual override

M - Knob type

R - Cable type

For valve dimensions with manual override option installed see page A-980.

6 Filter option

Blank - None

F - Filter screen

7 Port size

Code	Port size	Housing number
0	Cartridge only	
3B	3/8" BSPP	02-175464*
6T	SAE 6	566151*
2G	1/4" BSPP	876702
3G	3/8" BSPP	876703
6H	SAE 6	876700
8H	SAE 8	876701

*Light duty housing.
See section J for housing details.

8 Voltage rating

00 - No coil

12D - 12VDC

24D - 24VDC

115A - 115VAC

230A - 230VAC

12B - 12VDC/w diode*

24B - 24VDC/w diode*

*Optional arc suppression diode.

9 Connector types

Blank - No coil

G - ISO 4400 DIN 43650

W - Flying lead

N - Deutsch (DC only)

Y - Amp JR (DC only)

D - Metripack 150 male (DC only)

J - Metripack 280 male (DC only)

E - Weather-Pack (Packard) female on wire leads

F - Weather-Pack (Packard) male on wire leads

For coil part numbers and dimensions see section C.

10 Special features

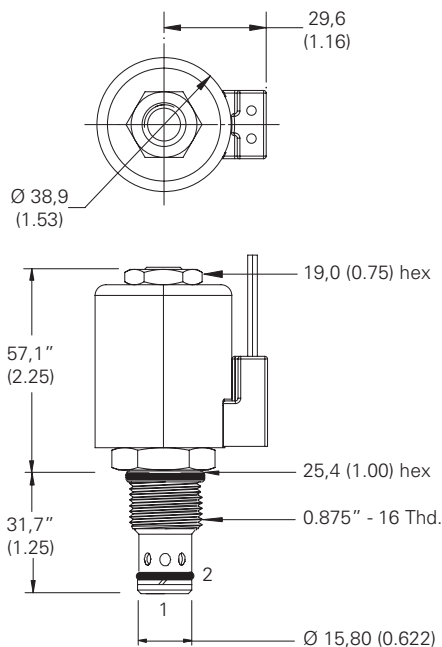
00 - None

(Only required if valve has special features, omitted if "00".)

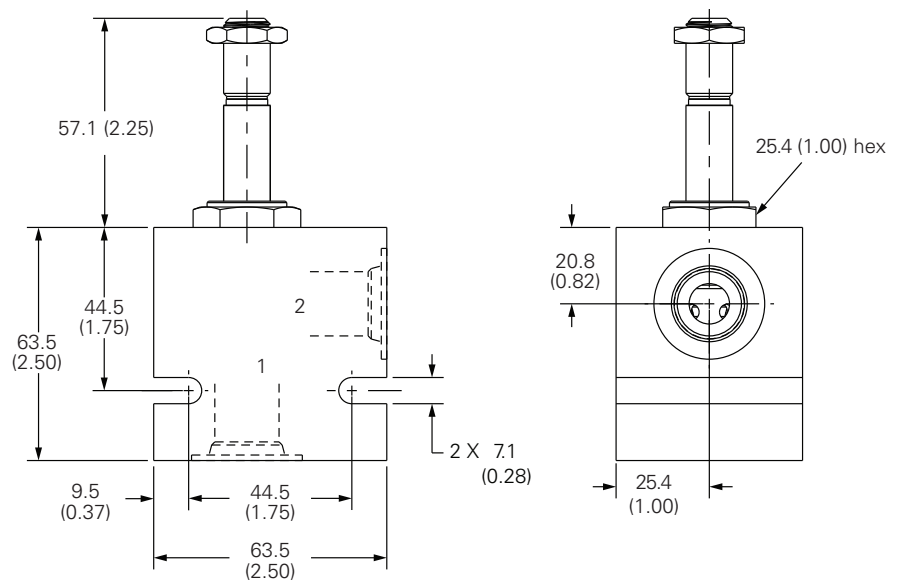
Note: Use J series, 23 W coils with this solenoid valve.

Dimensions - mm (inch)

Cartridge only



Installation drawing



Where measurements are critical request certified drawings. We reserve the right to change specifications without notice.