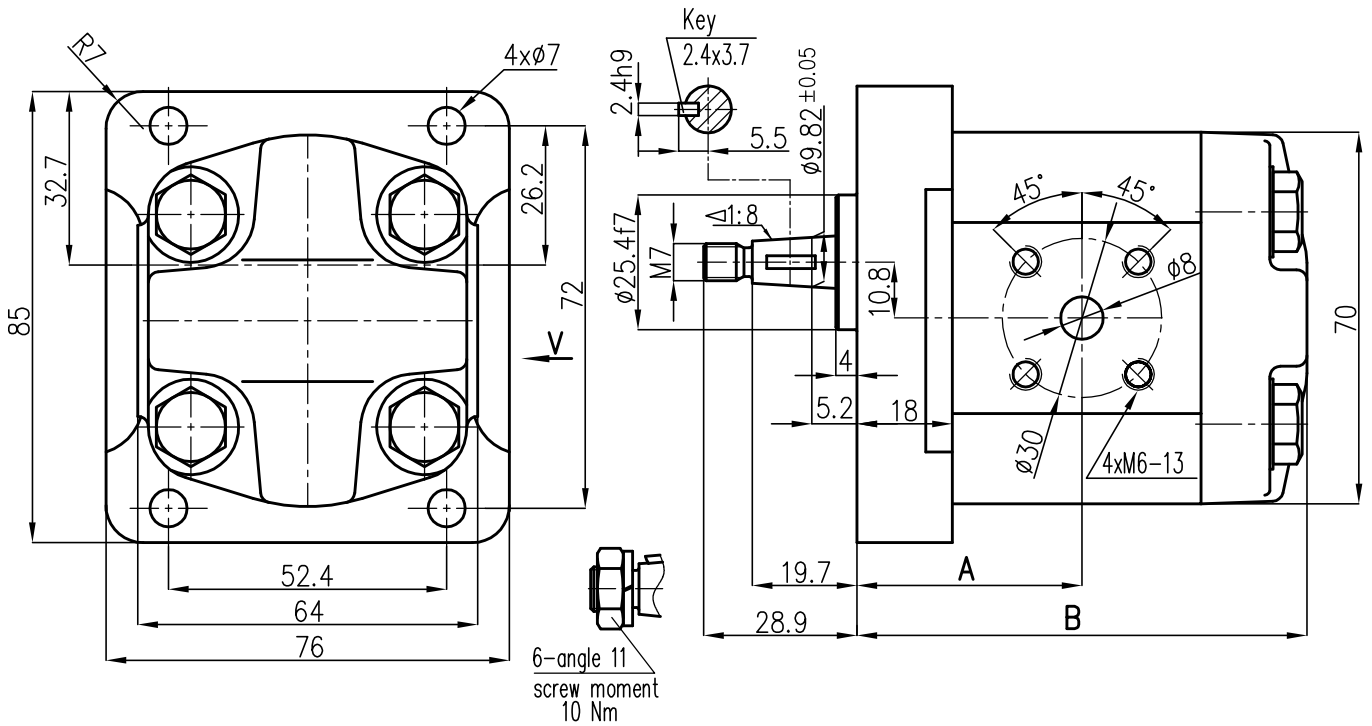


# 1PZ4-7 technical drawing



Geom. displac. ccm/rot	Pump designation	Dimension	
		A	B
1	1PZ4-1/28-x-776	37.4	74.9
1.2	1PZ4-1.2/28-x-776	37.8	75.7
1.6	1PZ4-1.6/28-x-776	38.6	77.2
2	1PZ4-2/28-x-776	39.4	78.8
2.5	1PZ4-2.5/28-x-776	40.4	80.8
3.2	1PZ4-3.2/28-x-776	41.7	83.5
4	1PZ4-4/22-x-776	43.3	86.6
5	1PZ4-5/22-x-776	45.2	90.5
6.3	1PZ4-6.3/17-x-776	47.8	95.6

x - direction of rotation: 1 - counter clockwise; 2-clockwise

