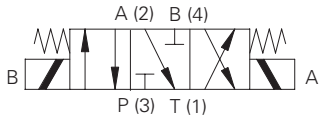


S272 - Solenoid valves

4-Way, 3-Position Spool
14 L/min (3.7 US GPM), 210 bar (3000 PSI)

A



Operation

In the central de-energized position flow is allowed from port 2 to tank port 1 and ports 3 and 4 are blocked. When solenoid 'A' is energized flow is allowed from ports 3 to 4 and ports 2 to 1. When solenoid 'B' is energized flow is allowed from port 3 to port 2 and from port 4 to port 1.

Performance data

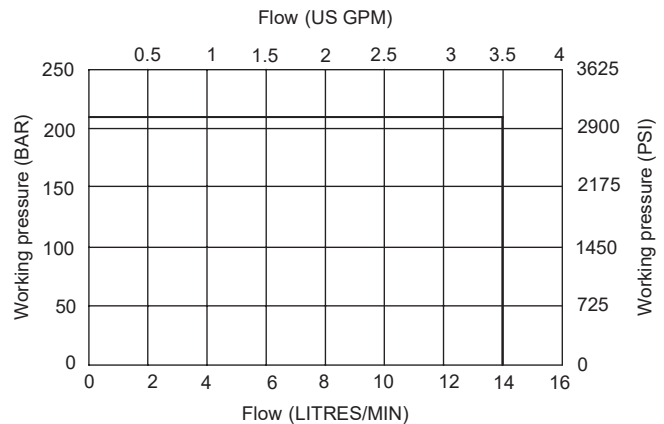
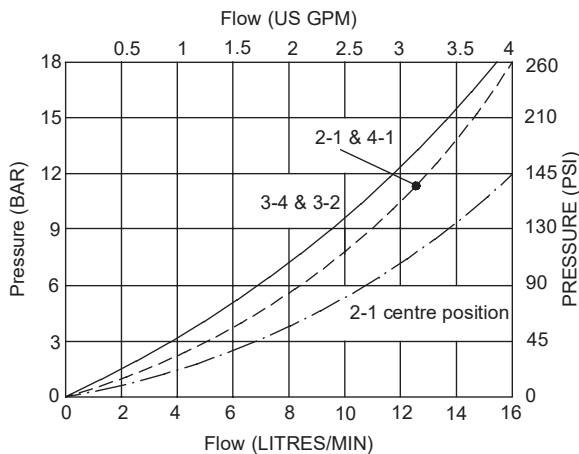
Ratings and specifications

Performance data is typical with fluid at 21,8 cST (105 SUS) and 49°C (120°F)

Max. Working Pressure	210 bar (3000 psi)
Flow Rating	14 litres/min (3.7 US GPM)
Nominal Flow (at Delta P = 5 bar (70 psi))	8 litres/min (2 US GPM)
Internal leakage	"Less than 60 ml/min 210 bar differential at 32 centistokes"
Temperature range	-20 to +120°C (-4 to +248°F)
Nominal Viscosity Range	15 to 250 centistokes
Cavity	A6951
Fluids	Most general purpose hydraulics fluids such as: MIL-H-5606, SAE 10, SAE 20 etc
Filtration	BS5540/4 18/13 (25 micron or better)
Housing material (standard)	Aluminium Alloy
Weight cartridge only	0.16 kg (0.35 lbs)
Seal kit	SK974 (Nitrile) SK974V (Viton)

Pressure drop

Cartridge only

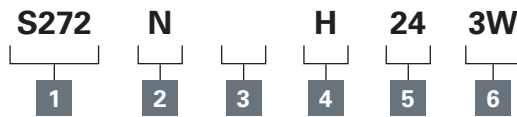


Where measurements are critical request certified drawings. We reserve the right to change specifications without notice.

S272 - Solenoid valves

4-Way, 3-Position Spool
14 L/min (3.7 US GPM), 210 bar (3000 PSI)

Model code



A

1 Basic Code
S272

2 Seals
N - Nitrile
V - Viton®

3 Manual Override
(consult factory for availability)

4 - Push/Pull

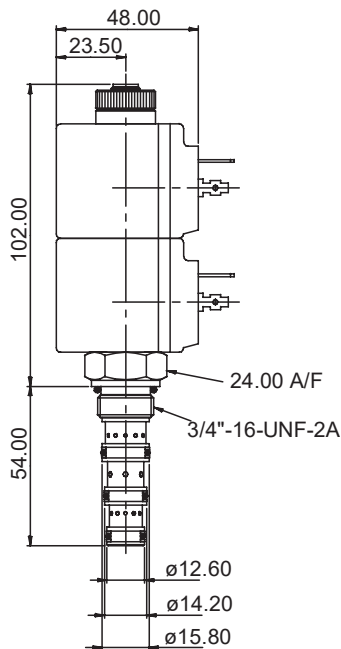
4 Port Sizes
2W - 1/4" BSP
3W - 3/8" BSP
6T - 3/8" SAE

5 Voltage
12 - 12 VDC
24 - 24 VDC
110 - 110 VAC
220 - 220 VAC

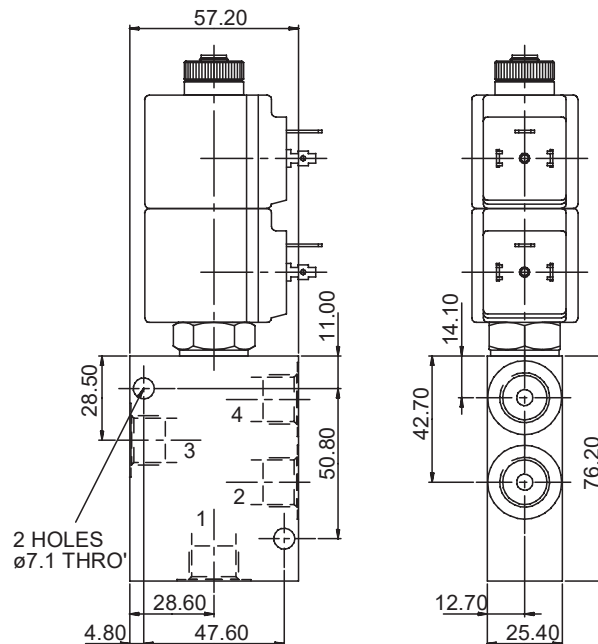
6 Coil Termination
H - DIN43650
F - Flying Leads
DM - Deutsch Moulded
Other terminations available on request

Dimensions - mm (inch)

Cartridge only



Installation drawing



Where measurements are critical request certified drawings. We reserve the right to change specifications without notice.