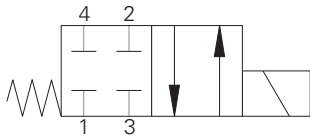


# SV15M-12-4 - Solenoid valve

Spool type, 4-way, 2-position

Up to 53 L/min (14 USgpm) • 350 bar (5000 psi)

A



## Operation

In the de-energized position all ports are blocked.

In the energized position flow is allowed between port 3 to port 2 and between port 4 to port 1 in both directions.

## Performance data

### Ratings and specifications

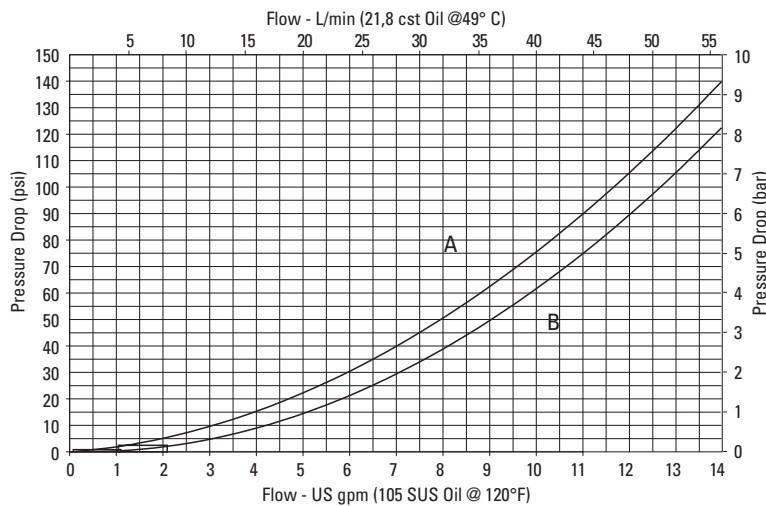
Performance data is typical with fluid at 21,8 cSt (105 SUS) and 49°C (120°F)

Typical application pressure (all ports except port 1)	350 bar (5000 psi)
Typical application pressure at port 1	210 bar (3000 psi)
Rated flow	53 L/min (14 USgpm)
Internal leakage	350 cc/min (21.5 in <sup>3</sup> /min) @ 210 bar (3000 psi)
Temperature range	-40° to 120°C (-40° to 248°F)
Cavity	C-12-4
Weight including coil	0.86 kg (1.9 lbs)
Fluids	All general purpose hydraulic fluids such as: MIL-H-5606, SAE 10, SAE 20, etc.
Filtration Cleanliness code	18/16/13
Seal kit	2160979 Buna-N), 2160980 (Viton®)

Viton is a registered trademark of E.I. DuPont

## Pressure drop

Cartridge only



A - Port 3 to port 2

B - Port 4 to port 1

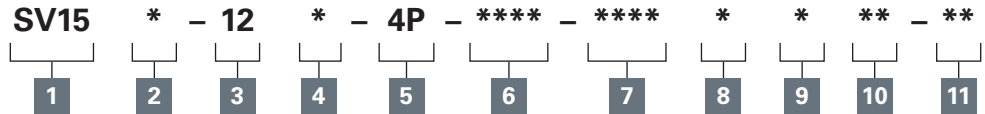
Where measurements are critical request certified drawings. We reserve the right to change specifications without notice.

# SV15M-12-4 - Solenoid valve

Spool type, 4-way, 2-position  
Up to 53 L/min (14 USgpm) • 350 bar (5000 psi)

A

## Model code



### 1 Function

SV15 - Solenoid valve

### 2 Max flow

M - 53 L/min (14USgpm)

### 3 Size

12 - 12 size

### 4 Seal material

Blank - Buna-N

V - Viton

### 5 Style

4P - 4-way, push type manual override

### 6 Port Size

0 - Cartridge only

Code	Port size	Housing number	
		Aluminium	Steel
A6G	3/4" BSPP	5986432-001	
A10H	SAE 10	5986434-001	
A12H	SAE 12	5986436-001	
S6G	3/4" BSPP		5991023-001
S10T	SAE 10		5991074-001
S12T	SAE 12		5991075-001

### 7 Voltage rating

00 - No coil

12D - 12VDC

24D - 24VDC

12B - 12VDC/w diode\*

24B - 24VDC/w diode\*

\*Optional arc suppression diode.

### 8 Connector types

Blank - No coil

G0 - ISO 4400 DIN 43650

N0 - Deutsch male, DT04-2P, integrated

Y0 - Integrated Amp DC

D0 - MetriPack® 150 Male, Integrated (DC Only)  
Mating connector : Delphi 12052641.

For coil part numbers and dimensions see section C.

### 9 Coil types

Blank - No coil

R - R series (30W)

Large ToughCoil

### 10 Coil special features

Blank - No coil

00 - No special feature

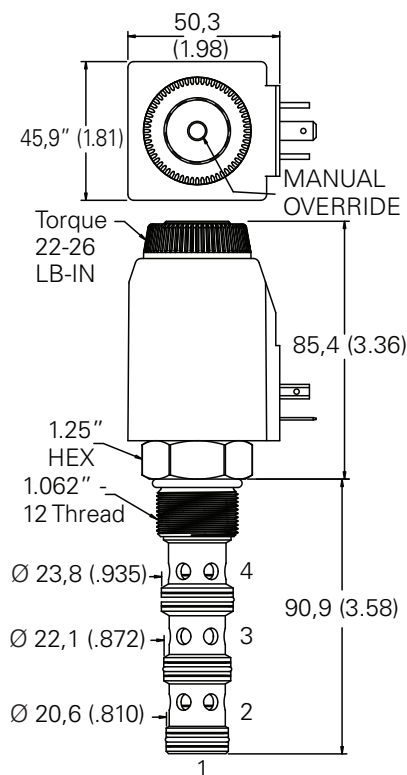
### 11 Special features

00 - None

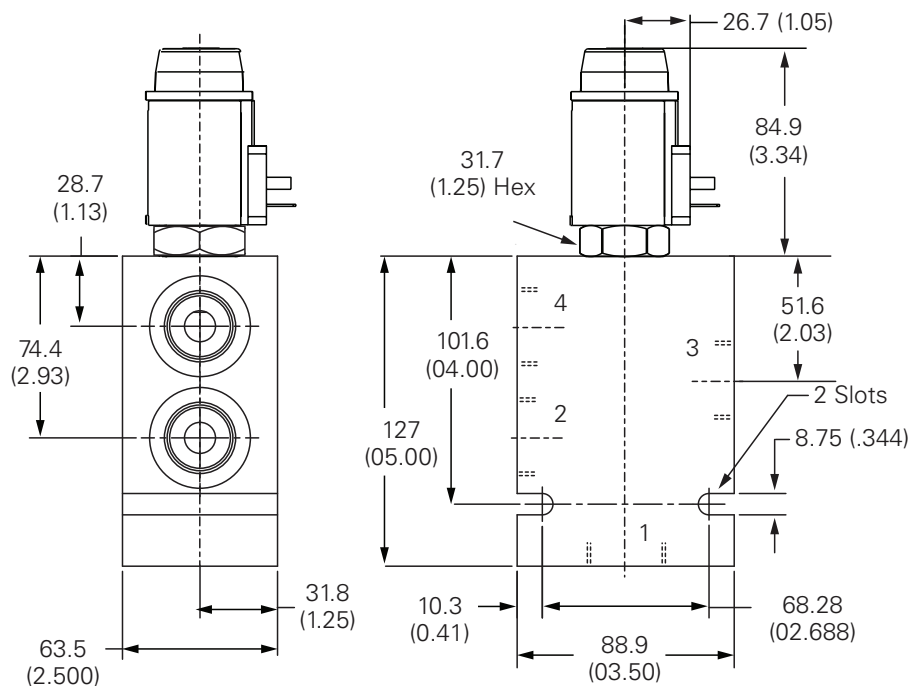
(Only required if valve has Special features omitted if "00".)

## Dimensions - mm (inch)

### Cartridge only



### Installation drawing (Steel)



Where measurements are critical request certified drawings. We reserve the right to change specifications without notice.