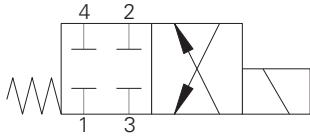


SV12M-12-4 - Solenoid valve

Spool type, 4-way, 2-position
Up to 42 L/min (11 USgpm) • 350 bar (5000 psi)

A



Operation

In the de-energized position all ports are blocked.

In the energized position flow is allowed between port 3 to port 4 and between port 2 to port 1 in both directions.

Performance data

Ratings and specifications

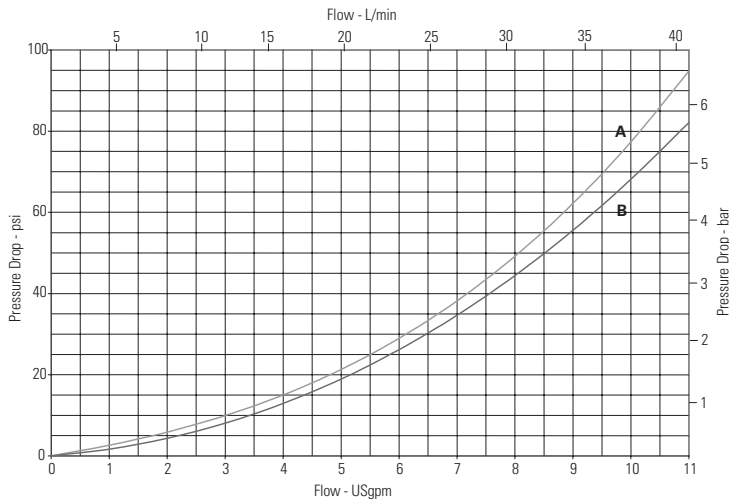
Performance data is typical with fluid at 21,8 cSt (105 SUS) and 49°C (120°F)

Typical application pressure (all ports except port 1)	350 bar (5000 psi)
Typical application pressure at port 1	210 bar (3000 psi)
Rated flow	42 L/min (11 USgpm)
Internal leakage	350 cc/min (21.5 in ³ /min) @ 210 bar (3000 psi)
Temperature range	-40° to 120°C (-40° to 248°F)
Cavity	C-12-4
Weight including coil	0.86 kg (1.9 lbs)
Fluids	All general purpose hydraulic fluids such as: MIL-H-5606, SAE 10, SAE 20, etc.
Filtration Cleanliness code	18/16/13
Seal kit	2160979 Buna-N), 2160980 (Viton®)

Viton is a registered trademark of E.I. DuPont

Pressure drop

Cartridge only



A - Port 2 to port 1

B - Port 1 to port 4

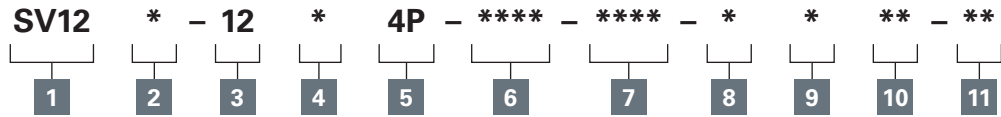
Where measurements are critical request certified drawings. We reserve the right to change specifications without notice.

SV12M-12-4 - Solenoid valve

Spool type, 4-way, 2-position
Up to 42 L/min (11 USgpm) • 350 bar (5000 psi)

A

Model code



- 1 Function**
SV12 - Solenoid valve

- 2 Max flow**
M - 42 L/min (11USgpm)

- 3 Size**
12 - 12 size

- 4 Seal material**
Blank - Buna-N
V - Viton®

- 5 Style**
4P - 4-way, push type manual override

Code	Port size	Housing number	
		Aluminium	Steel
0	Cartridge only		
A6G	3/4" BSPP	5986432-001	
A10H	SAE 10	5986434-001	
A12H	SAE 12	5986436-001	
S6G	3/4" BSPP		5991073-001
S10T	SAE 10		5991074-001
S12T	SAE 12		5991075-001

- 6 Port size**

- 7 Voltage rating**
00 - No coil
12D - 12VDC
24D - 24VDC
12B - 12VDC/w diode*
24B - 24VDC/w diode*
*Optional arc suppression diode.

- 8 Connector types**
Blank - No coil
G0 - ISO 4400 DIN 43650
N0 - Deutsch male, DT04-2P, integrated
Y0 - Integrated Amp DC
D0 - MetriPack® 150 Male, Integrated (DC Only)
Mating connector : Delphi 12052641.
For coil part numbers and dimensions see section C.

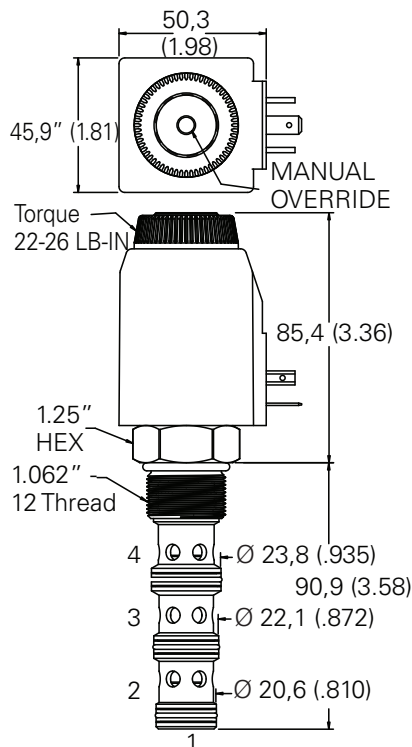
- 9 Coil types**
Blank - No coil
L - L series (30W EN 490) used for SV12A-12
R - R series (30W) Large ToughCoil

- 10 Coil special features**
Blank - No coil
00 - No special feature

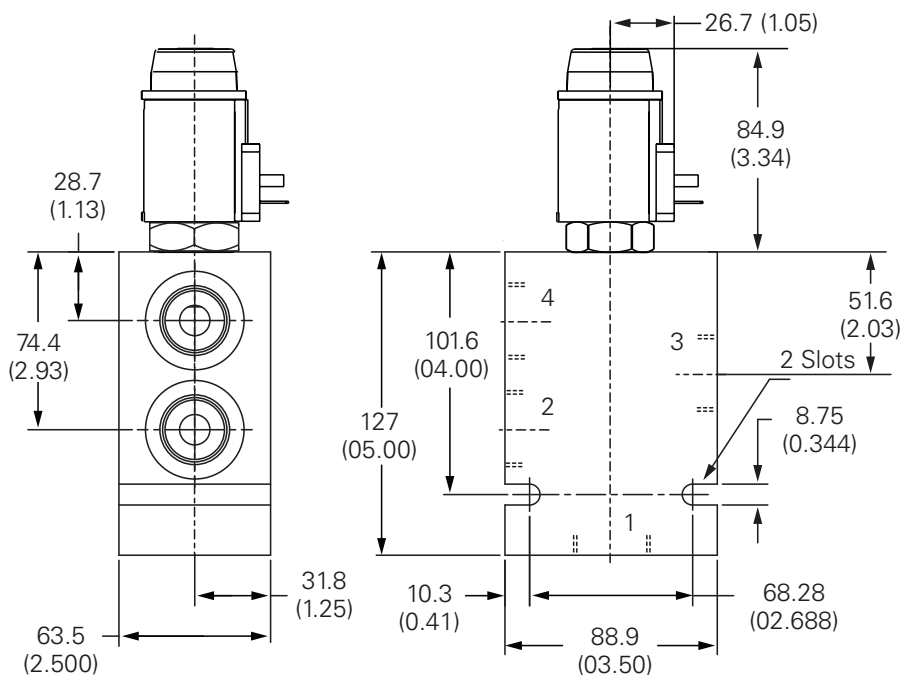
- 11 Special features**
00 - None
(Only required if valve has Special features omitted if "00".)

Dimensions - mm (inch)

Cartridge only



Installation drawing (Steel)



Where measurements are critical request certified drawings. We reserve the right to change specifications without notice.