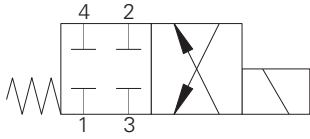


SV2M-12-4 - Solenoid valve

Spool type, 4-way, 2-position
Up to 42 L/min (11 USgpm) • 210 bar (3000 psi)

A



Operation

In the de-energized position all ports are blocked.

In the energized position flow is allowed between port 3 to port 4 and between port 2 to port 1 in both directions.

Performance data

Ratings and specifications

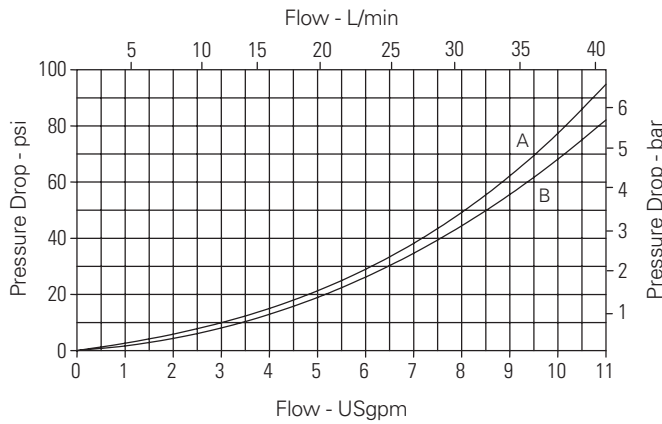
Performance data is typical with fluid at 21,8 cSt (105 SUS) and 49° C (120° F)

Typical application pressure	210 bar (3000 psi)
Rated flow	42 L/min (11 USgpm)
Internal leakage	300 cm ³ /min (21.5 in ³ /min) max @ 210 bar (3000 psi)
Temperature range	-40° to 120°C (-40° to 248°F)
Cavity	C-12-4
Weight including coil	0,86 kg (1.9 lbs)
Fluids	All general purpose hydraulic fluids such as: MIL-H-5606, SAE 10, SAE 20 etc.
Filtration	Cleanliness code 18/16/13
Seal kit	2160979 (Buna-N), 2160980 (Viton®)

Viton is a registered trademark of E.I. DuPont

Pressure drop

Cartridge only



A - Port 2 to port 1

B - Port 3 to port 4

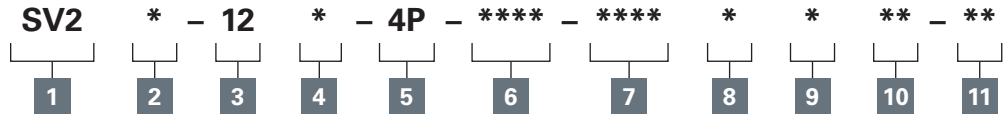
Where measurements are critical request certified drawings. We reserve the right to change specifications without notice.

SV2M-12-4 - Solenoid valve

Spool type, 4-way, 2-position
Up to 42 L/min (11 USgpm) • 210 bar (3000 psi)

A

Model code



1 Function

SV2 - Solenoid valve

2 Max flow

M - 42 L/min (11USgpm)

3 Size

12 - 12 size

4 Seal material

Blank - Buna-N

V - Viton®

5 Style

4P - 4-way, push type manual override

6 Port size

Code	Port size	Housing number
0	Cartridge only	
A6G	3/4" BSPF	5986432-001
A10T	SAE 10	6030517-001
A12H	SAE 12	5986436-001

See section J for housing details.

7 Voltage rating

00 - No coil

12D - 12VDC

24D - 24VDC

12B - 12VDC/w diode*

24B - 24VDC/w diode*

*Optional arc suppression diode.

8 Connector types

Blank - No coil

G0 - ISO 4400 DIN 43650

N0 - Deutsch male, DT04-2P, integrated

Y0 - Integrated Amp DC

D0 - MetriPack® 150 Male, Integrated (DC Only)
Mating connector : Delphi 12052641.

For coil part numbers and dimensions see section C.

9 Coil types

Blank - No coil

L - L series (30W EN 490) used for SV2A-12

R - R series (30W) Large ToughCoil

10 Coil special features

Blank - No coil

00 - No special feature

11 Special features

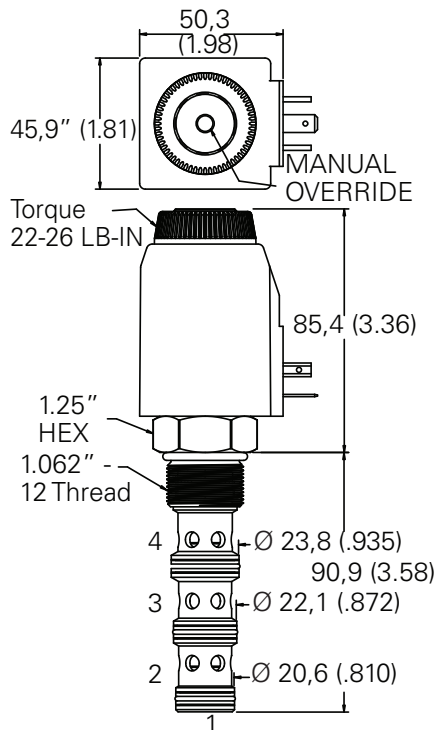
00 - None

(Only required if valve has special features omitted if "00".)

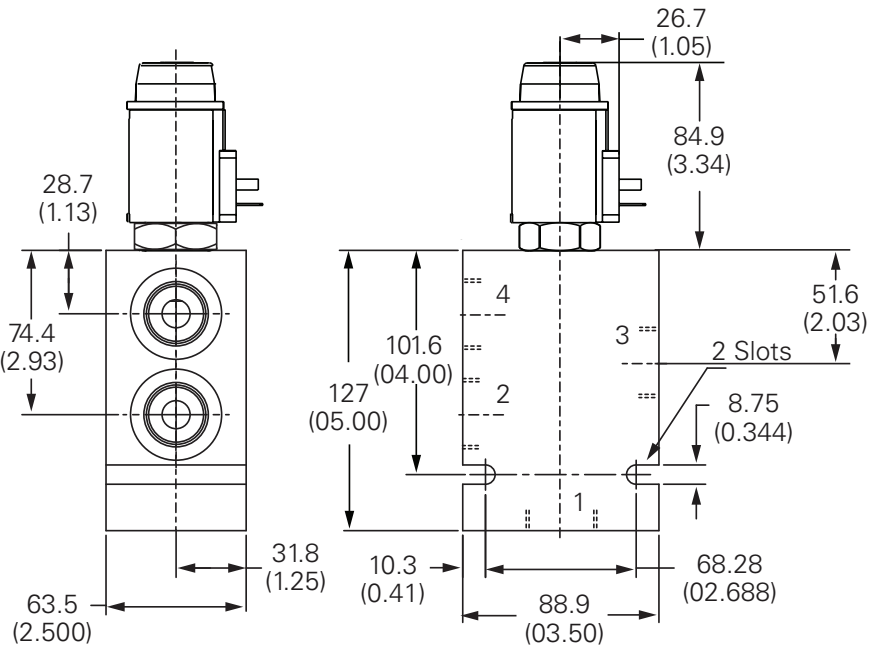
SF - Soft shift

Dimensions - mm (inch)

Cartridge only



Installation drawing



Where measurements are critical request certified drawings. We reserve the right to change specifications without notice.