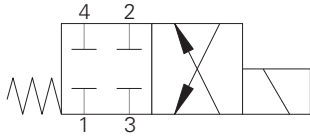


SV2-10-4/4M/4R - Solenoid valve

Spool type, 4-way, 2-position
23 L/min (6 USgpm) • 210 bar (3000 psi)

A



Operation

In the de-energized position all ports are blocked.

In the energized position flow is allowed from port 3 to port 4 and from port 2 to port 1.

Performance data

Ratings and specifications

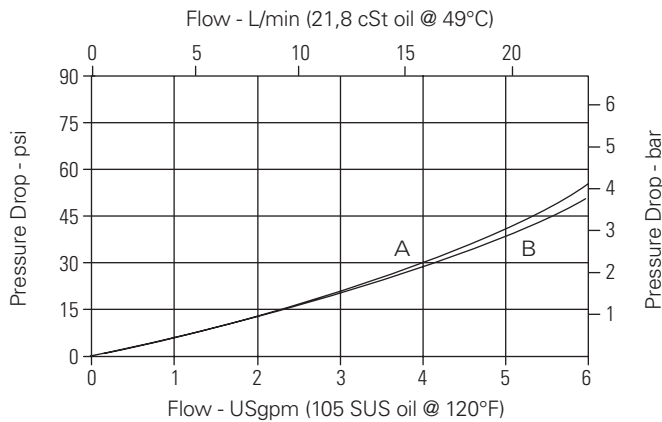
Performance data is typical with fluid at 21,8 cSt (105 SUS) and 49°C (120°F)

Typical application pressure (all ports)	210 bar (3000 psi)
Rated flow	23 L/min (6 USgpm)
Internal leakage	164 cm ³ /min (10 in ³ /min) max @ 210 bar (3000 psi)
Temperature range	-40° to 120°C (-40° to 248°F)
Cavity	C-10-4
Fluids	All general purpose hydraulic fluids such as: MIL-H-5606, SAE 10, SAE 20 etc.
Weight including coil	0,44 kg (0.96 lbs)
Filtration	Cleanliness code 18/16/13
Housing material (standard)	Aluminum
Seal kit	889625 (Buna-N), 566080 (Viton®)

Viton is a registered trademark of E.I. DuPont

Pressure drop

Cartridge only



A - Port 3 to port 4

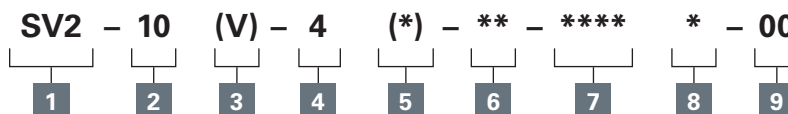
B - Port 1 to port 2

Where measurements are critical request certified drawings. We reserve the right to change specifications without notice.

SV2-10-4/4M/4R - Solenoid valve

Spool type, 4-way, 2-position
23 L/min (6 USgpm) • 210 bar (3000 psi)

Model code



A

1 Function
SV2 - Solenoid valve

2 Size
10 - 10 size

3 Seal material
Blank - Buna-N
V - Viton®

4 Style
4 - 4-way, 2-position

5 Manual override option
Blank - No manual override
M - Knob type
R - Cable type
For valve dimensions with Manual override option installed see page A-980.

6 Port size

Code	Port size	Housing number
0	Cartridge only	
3B	3/8" BSPP	02-179705*
6T	SAE 6	566161*
2G	1/4" BSPP	876709
3G	3/8" BSPP	876715
6H	SAE 6	876708
8H	SAE 8	876713

*Light duty housing
See section J for housing details.

7 Voltage rating

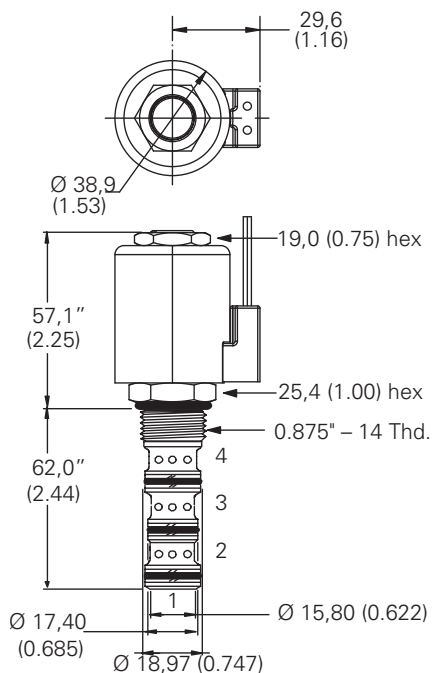
00 - No coil	230 - 230VAC
12D - 12VDC	12B - 12VDC/w diode*
24D - 24VDC	24B - 24VDC/w diode*
115A - 115VAC	*Optional arc suppression diode.

8 Connector types
Blank - No coil
G - ISO 4400 DIN 43650
W - Flying lead
N - Deutsch (DC only)
Y - Amp JR (DC only)
D - Metripack 150 male (DC only)
J - Metripack 280 male (DC only)
E - Weather-Pack female
F - Weather-Pack male
For coil part numbers and dimensions see section C.

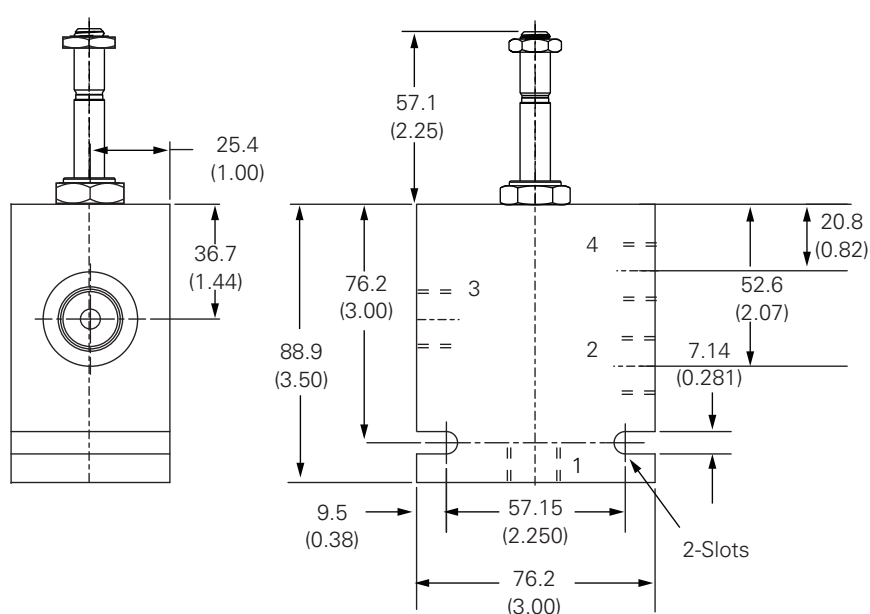
9 Special features
00 - None
(Only required if valve has Special features omitted if "00".)
Note: Use J series 23, W coils with this solenoid valve.

Dimensions - mm (inch)

Cartridge only



Installation drawing



Where measurements are critical request certified drawings. We reserve the right to change specifications without notice.