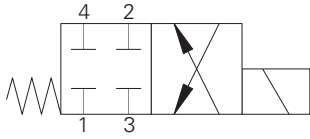


SV12-10-4 - Solenoid valve

Spool type, 4 way, 2 position
 23 L/min (6 US GPM) 350 bar (5000 PSI)

A



Operation

In the de-energized position all ports are blocked.

In the energized position flow is allowed from port 3 to port 4 and from port 2 to port 1.

Performance data

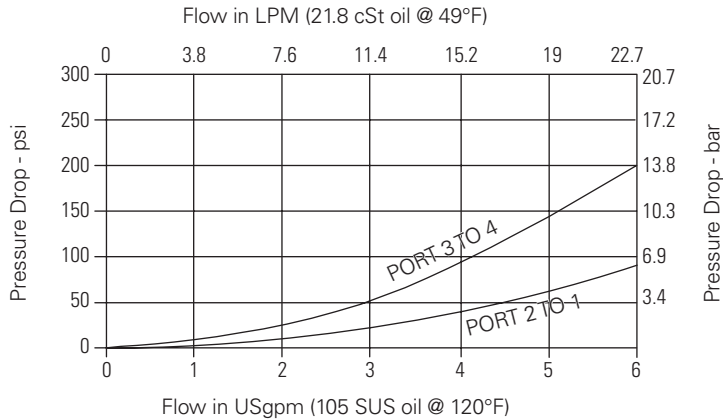
Ratings and specifications

Performance data is typical with fluid at 21,8 cSt (105 SUS) and 49°C (120°F)

Typical application pressure (all ports)	350 bar (5000 psi)
Rated flow	23 litre/min (6 US GPM)
Internal leakage	8.5 Cubic inches (140 ml) per min max at 350 Bar
Temperature range	-20 to +120°C (-4 to +248°F)
Coil duty	Continuous from 85% to 110% of nominal voltage
Cavity	C-10-4
Fluids	All general purpose hydraulic fluids such as: MIL-H-5606, SAE 10, SAE 20 etc.
Filtration	Cleanliness code 18/16/13
Housing material (standard)	Steel
Weight cartridge only	0,44 kg (0.96 lbs)
Seal kit	889625 (Buna-N), 566080 (Viton)

Pressure drop

Cartridge only

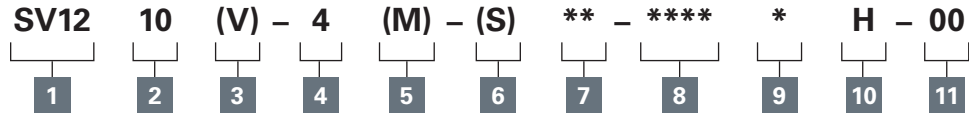


Where measurements are critical request certified drawings. We reserve the right to change specifications without notice.

SV12-10-4 - Solenoid valve

Spool type, 4 way, 2 position
23 L/min (6 US GPM) 350 bar (5000 PSI)

Model code



A

1 Function

SV12 - Solenoid valve

2 Size

10 - 10 size

3 Seal material

Blank - Buna-N
V - Viton®

4 Style

4 - 4-way, 2 position

5 Manual override option

Blank - No manual override
M - Manual override
For valve dimensions with Manual override option installed, see page A-980.

6 Valve housing material

Blank - Omit for Cartridge only
A - Aluminum

7 Port size

Code	Port size	Housing number
0	Cartridge only	
2G	1/4" BSPP	02-175102
3G	3/8" BSPP	02-175103
6T	SAE 6	02-175100
8T	SAE 8	02-175101

See section J for housing details.

9 Connector types

Blank - No coil
G - ISO 4400 DIN 43650
W - Flying lead
N - Deutsch (DC only)
Y - Amp JR (DC only)
D - Metripack 150 male (DC only)
J - Metripack 280 male (DC only)
E - Weather-Pack (Packard) female on wire leads
F - Weather-Pack (Packard) male on wire leads

10 Coil series

H - 10 series, 29 W
For coil part numbers and dimensions see section C.

11 Special features

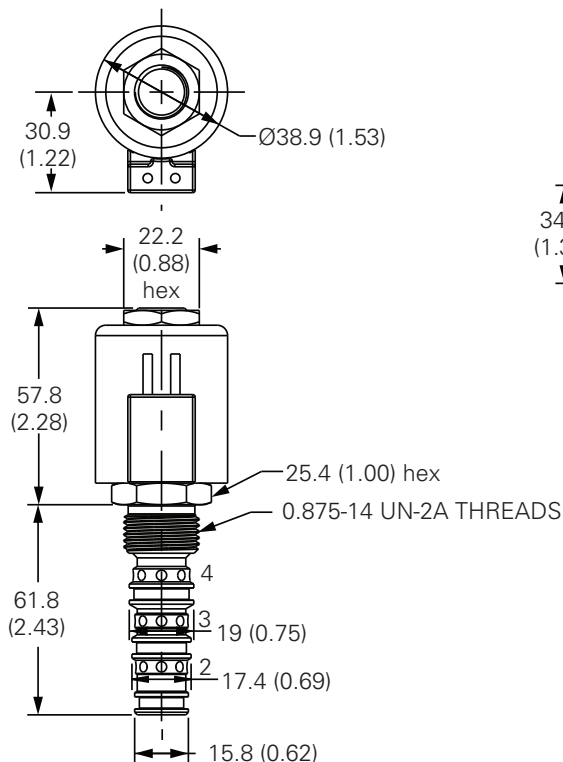
00 - None
(Only required if valve has Special features omitted if "00".)

8 Voltage rating

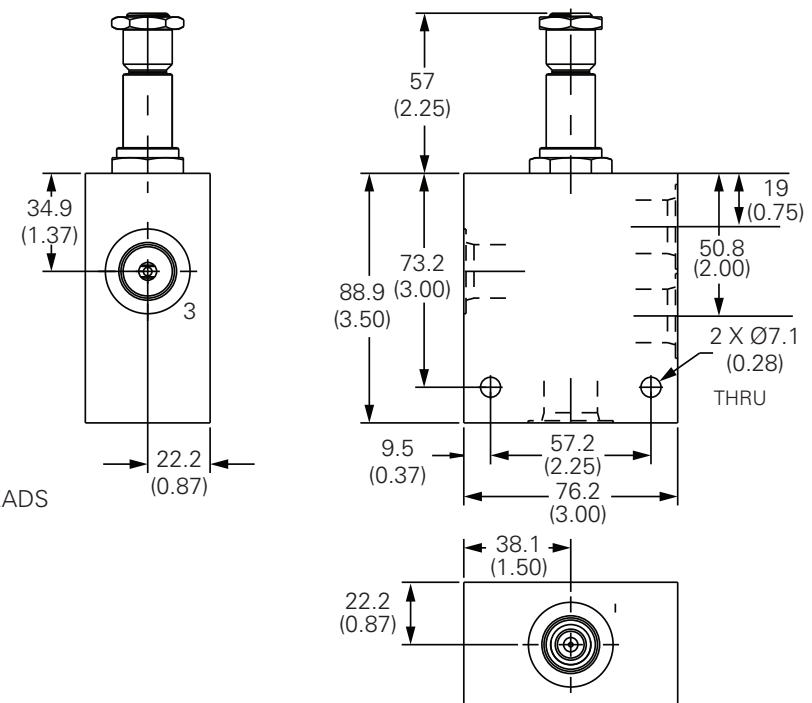
00 - No coil	230A - 230VAC
12D - 12VDC	12B - 12VDC/w diode*
24D - 24VDC	24B - 24VDC/w diode*
115A - 115VAC	*Optional arc suppression diode.

Dimensions - mm (inch)

Cartridge only



Installation drawing



Where measurements are critical request certified drawings. We reserve the right to change specifications without notice.