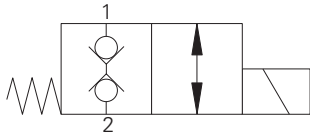


# SBV2-8-C - Solenoid Bi-directional valve

Poppet type, 2 way, 2 position, Bi-directional, normally closed (low flow version)  
 1 L/min (0.25 USgpm) • 210 bar (3000 psi)

A



## Operation

In the de-energized position the valve is blocked in both directions.

When the solenoid is energized the poppet is released from the seat allowing flow in both directions.

## Performance data

### Ratings and specifications

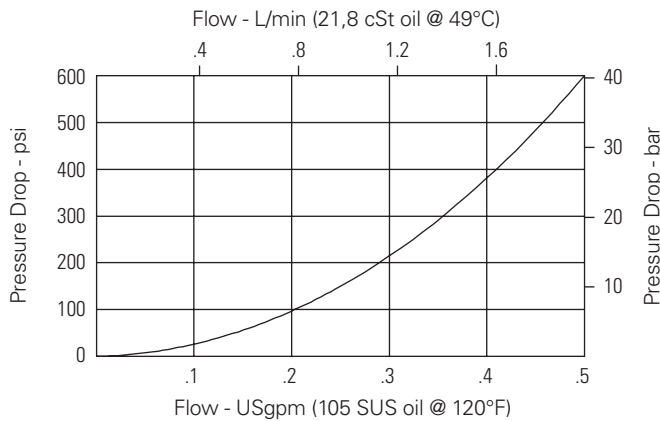
*Performance data is typical with fluid at 21,8 cSt (105 SUS) and 49°C (120°F)*

Typical application pressure (all ports)	210 bar (3000 psi)
Cartridge fatigue pressure (infinite life)	210 bar (3000 psi)
Rated flow	1 L/min (0.25 USgpm)
Internal leakage, port 1 to port 2 and port 2 to port 1	5 drops/min, max @ 350 bar (5000 psi)
Temperature range	-40° to 100°C (-40° to 212°F)
Coil duty	Continuous from 85% to 110% of nominal voltage
Cavity	C-8-2
Fluids	All general purpose hydraulic fluids such as: MIL-H-5606, SAE 10, SAE 20 etc.
Filtration	Cleanliness code 18/16/13
Housing material (standard)	Aluminum or steel
Weight cartridge only	0,120 kg (0.26 lbs)
Seal kit	02-160777 (Buna-N), 02-160778 (Viton®)

Viton is a registered trademark of E.I. DuPont

## Pressure drop

Cartridge only

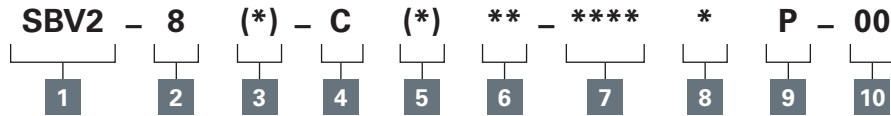


Where measurements are critical request certified drawings. We reserve the right to change specifications without notice.

# SBV2-8-C - Solenoid Bi-directional valve

Poppet type, 2-way, 2-position, Bi-directional, normally closed (low flow version)  
1 L/min (0.25 USgpm) • 210 bar (3000 psi)

## Model code



A

### 1 Function

SBV2 - Solenoid valve

### 2 Size

8 - 8 size

### 3 Seal material

Blank - Buna-N  
V - Viton®

### 4 Style

C - Normally closed

### 5 Valve housing material

Blank - Cartridge only  
A - Aluminum  
S - Steel

### 6 Port size

Code	Port size	Housing number	
		Aluminium	Steel
0	Cartridge only		
2G	1/4" BSPP	02-160727	02-160733
3G	3/8" BSPP	02-160728	02-160734
4T	SAE 4	02-160730	02-160736
6T	SAE 6	02-160731	02-160737
8T	SAE 8	02-160732	02-160738

See section J for housing details.

### 7 Voltage rating

00 - No coil	230A - 230VAC
12D - 12VDC	12B - 12VDC/w diode*
24D - 24VDC	24B - 24VDC/w diode*
115A - 115VAC	*Optional arc suppression diode.

### 8 Connector types

Blank - No coil  
G - ISO 4400 DIN 43650  
W - Flying lead  
N - Deutsch (DC only)  
Y - Amp JR (DC only)  
D - Metripack 150 male (DC only)  
J - Metripack 280 male (DC only)  
F - Weather-Pack (Packard) male

### 9 Coil series

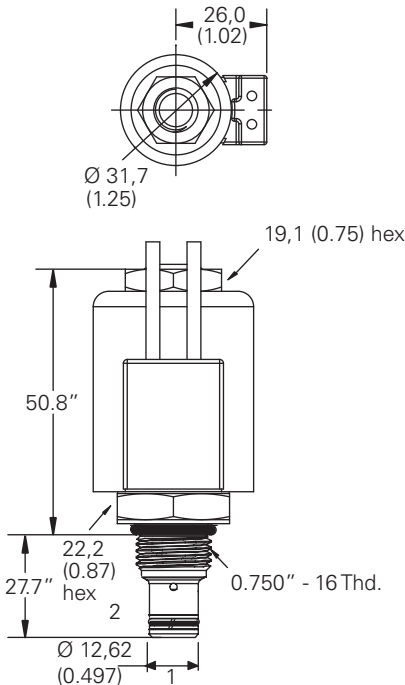
P - 8 series, 23 W  
For coil part numbers and dimensions see section C.

### 10 Special features

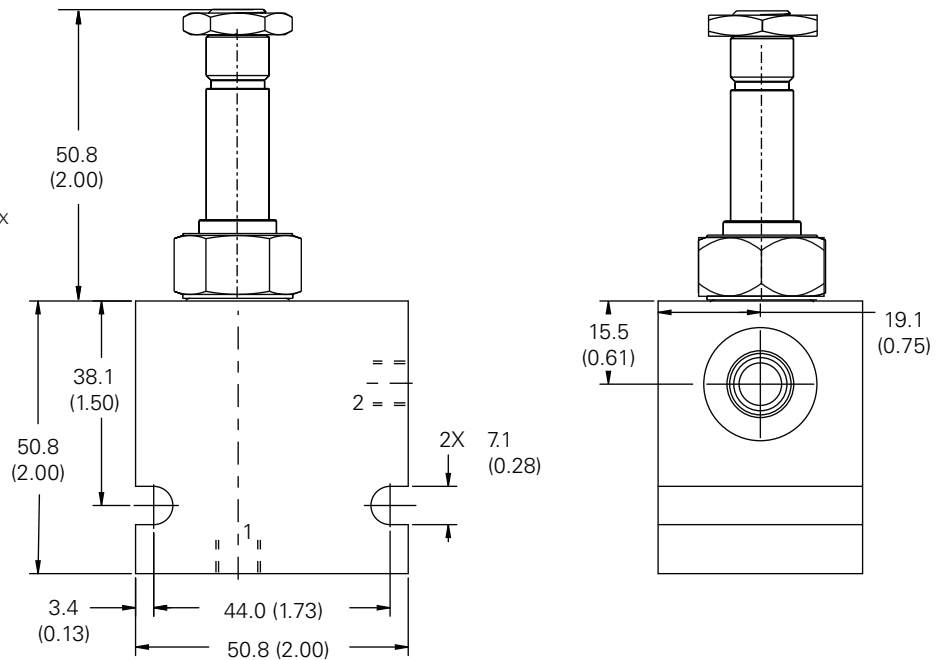
00 - None  
(Only required if valve has special features omitted if "00".)

## Dimensions - mm (inch)

### Cartridge only



### Installation drawing (Aluminum)



Where measurements are critical request certified drawings. We reserve the right to change specifications without notice.