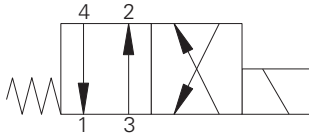


SV11-8-4/4M - Solenoid valve

Spool type, 4-way, 2-position
Up to 11 L/min (3 USgpm) • 350 bar (5000 psi)

A



Operation

In the de-energized position this valve allows flow from port 4 to port 1 and from port 3 to port 2.
In the energized position flow is allowed from port 3 to port 4 and from port 2 to port 1

Performance data

Ratings and specifications

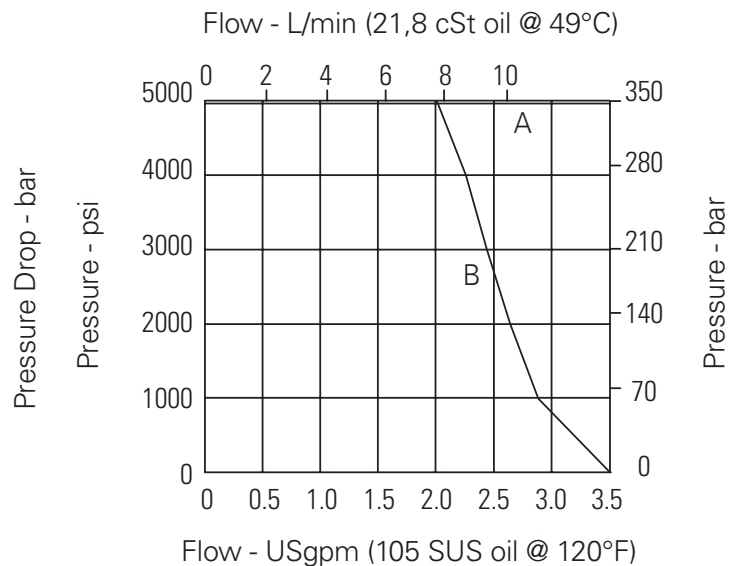
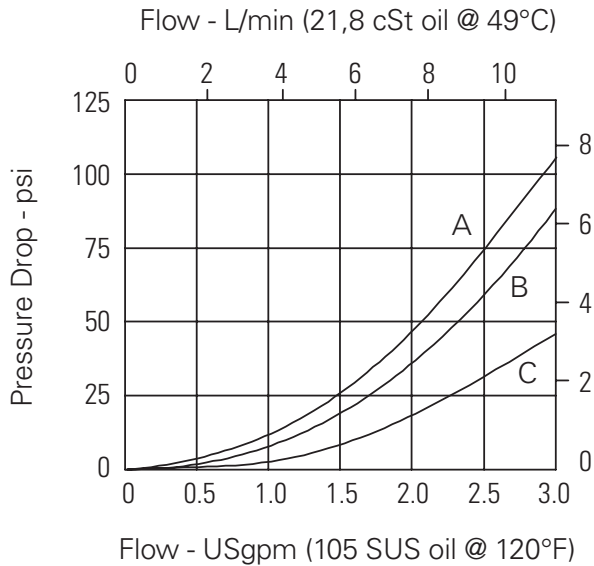
Performance data is typical with fluid at 21,8 cSt (105 SUS) and 49°C (120°F)

Typical application pressure (all ports)	350 bar (5000 psi)
Rated flow	11 L/min (3 USgpm)
Internal leakage (per land)	82 cm ³ /min (5 in ³ /min) max @ 350 bar (5000 psi)
Temperature range	-40° to 100°C (-40° to 212°F)
Cavity	C-8-4
Weight including coil	0,14 kg (0.30 lbs)
Fluids	All general purpose hydraulic fluids such as: MIL-H-5606, SAE 10, SAE 20, etc.
Filtration	Cleanliness code 18/16/13
Seal kit	02-160757 (Buna-N), 02-160758 (Viton®)

Viton is a registered trademark of E.I. DuPont

Pressure drop

Cartridge only



Pressure drop vs. Flow

- A** - Port 3 to port 4 or port 3 to port 2
- B** - Port 4 to 1
- C** - Port 2 to 1

Operating Limits

- A** - Port 2 to port 1, 4 to 1, and 3 to 2
- B** - Port 3 to port 4

Where measurements are critical request certified drawings. We reserve the right to change specifications without notice.

SV11-8-4/4M - Solenoid valve

Spool type, 4-way, 2-position
Up to 11 L/min (3 USgpm) • 350 bar (5000 psi)

Model code

SV11 – 8 (V) – 4 (M) – (S) ** – ** * P – 00**

1 2 3 4 5 6 7 8 9 10 11

A

1 Function

SV11 - Solenoid valve

2 Size

8 - 8 size

3 Seal material

Blank - Buna-N

V - Viton®

4 Style

4 - 4-way, 2 position

5 Manual override option

Blank - No manual override

M - Manual override

For valve dimensions with Manual override option installed, see page A-980.

6 Valve housing material

Blank - Cartridge only

A - Aluminum

7 Port size

Code	Port size	Housing number
0	Cartridge only	
2G	1/4" BSPP	02-160751
3G	3/8" BSPP	02-160752
4T	SAE 4	02-160753
6T	SAE 6	02-160754

See section J for housing details.

9 Connector types

Blank - No coil

G - ISO 4400 DIN 43650

W - Flying lead

N - Deutsch (DC only)

Y - Amp JR (DC only)

D - Metripack 150 male (DC only)

J - Metripack 280 male (DC only)

F - Weather-Pack (Packard) male on wire leads

For coil part numbers and dimensions see section C.

10 Coil series

P - 8 series, 23 W

For coil part numbers and dimensions see section C.

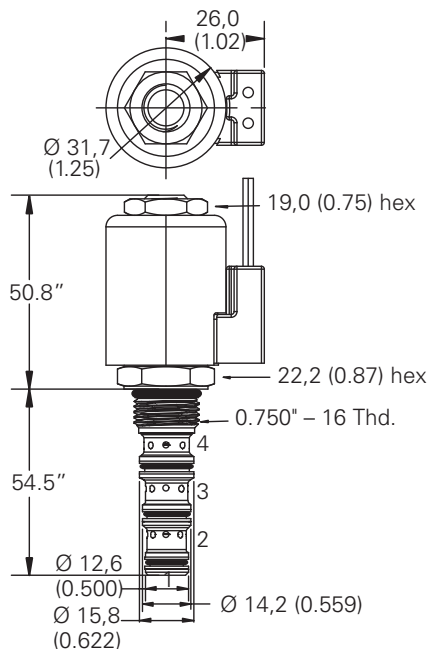
11 Special features

00 - None

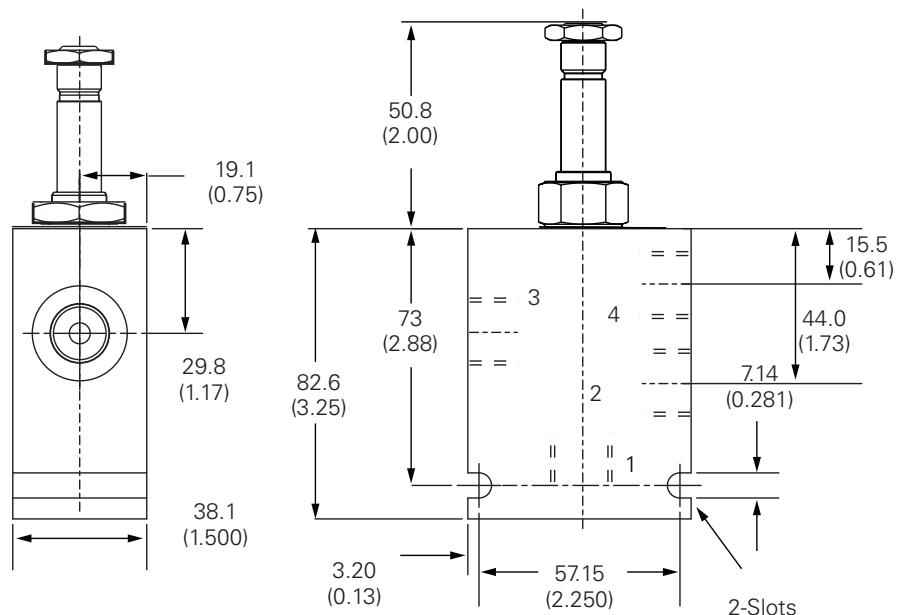
(Only required if valve has Special features omitted if "00".)

Dimensions - mm (inch)

Cartridge only



Installation drawing



Where measurements are critical request certified drawings. We reserve the right to change specifications without notice.