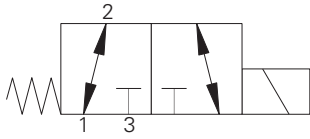


SV4M-12-3P - Solenoid valve

Spool type, 3-way, 2-position
Up to 42 L/min (11 USgpm) • 210 bar (3000 psi)

A



Operation

In the de-energized position this valve allows flow from port 2 to 1 while port 3 is blocked.

In the energized position flow is allowed from port 2 to port 3 while port 1 is blocked.

Performance data

Ratings and specifications

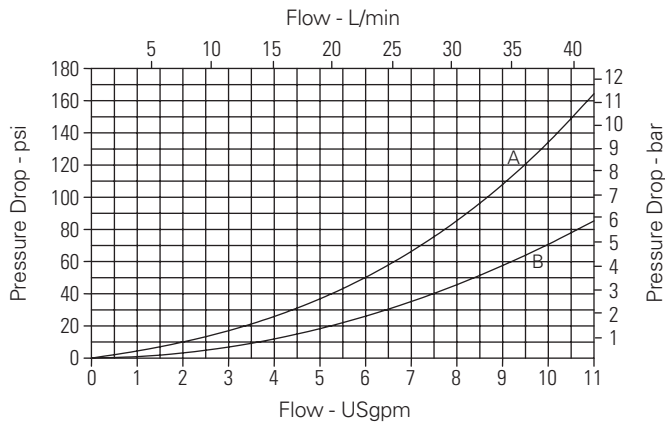
Performance data is typical with fluid at 21,8 cST (105 SUS) and 49°C (120°F)

Typical application pressure	210 bar (3000 psi)
Rated flow	42 L/min (11 USgpm)
Internal leakage	300 cm ³ /min (21.5 in ³ /min) max @ 210 bar (3000 psi)
Temperature range	-40° to 120°C (-40° to 248°F)
Cavity	C-12-3
Weight including coil	0,86 kg (1.9 lbs)
Fluids	All general purpose hydraulic fluids such as: MIL-H-5606, SAE 10, SAE 20, etc.
Filtration	Cleanliness code 18/16/13
Seal kit	9900171-000 (Buna-N), 9900172-000 (Viton®)

Viton is a registered trademark of E.I. DuPont

Pressure drop

Cartridge only



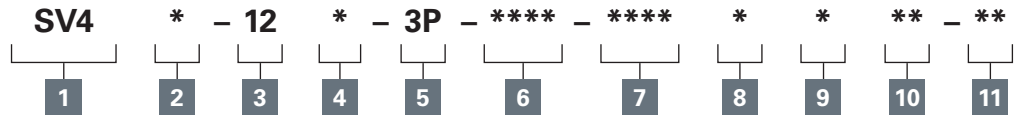
- A** - Port 3 to port 2 energized
- B** - Port 2 to port 1 de-energized

Where measurements are critical request certified drawings. We reserve the right to change specifications without notice.

SV4M-12-3P - Solenoid valve

Spool type, 3-way, 2-position
Up to 42 L/min (11 USgpm) • 210 bar (3000 psi)

Model code



A

1 Function

SV4 - Solenoid valve

2 Max flow

M - 42 L/min (11 USgpm)

3 Size

12 - 12 size

4 Seal material

Blank - Buna-N
V - Viton®

5 Style

3P - 3 way, push type manual override

6 Port size

Code	Port size	Housing number
0	Cartridge only	
A6G	3/4" BSPP	02-161816
A12H	SAE 12	02-160646

8 Connector types

Blank - No coil
G0 - ISO 4400 DIN 43650
N0 - Deutsch male, DT04-2P, integrated
Y0 - Integrated Amp DC
D0 - MetriPack® 150 Male, Integrated (DC Only)
Mating connector : Delphi 12052641.

*Optional arc suppression diode.
For coil dimensions see section C.

9 Coil types

Blank - No coil
R - R series (30W) Large ToughCoil

10 Coil special features

Blank - No coil
00 - No special feature

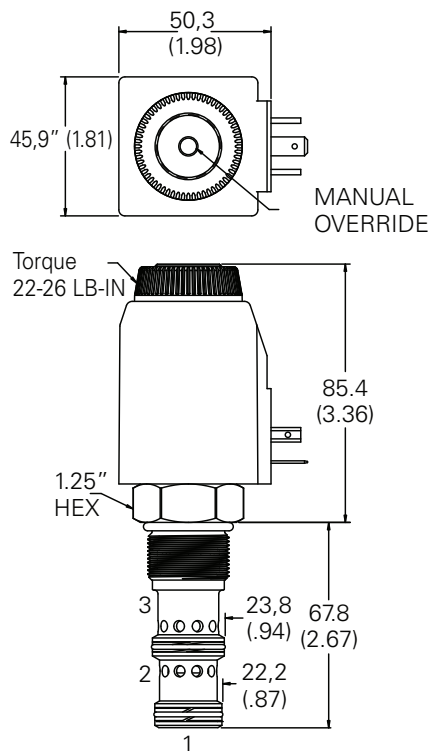
11 Special features

00 - None
(Only required if valve has Special features, omitted if "00".)

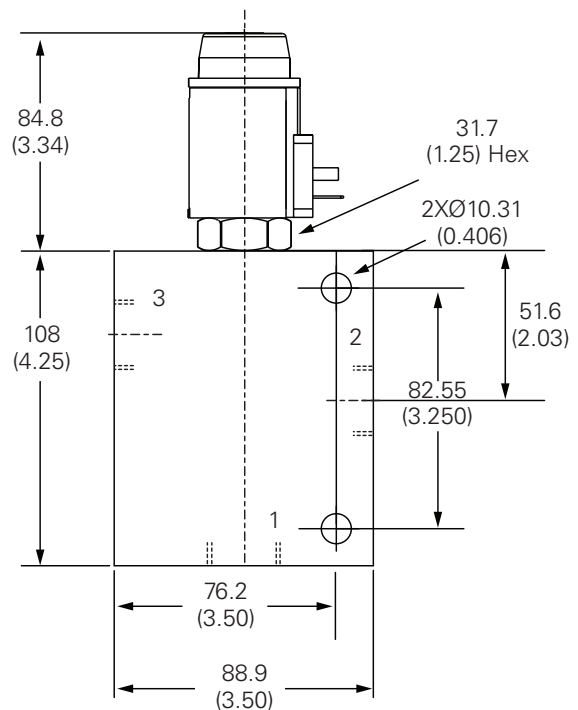
SF - Soft shift

Dimensions - mm (inch)

Cartridge only



Installation drawing



Where measurements are critical request certified drawings. We reserve the right to change specifications without notice.