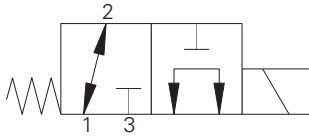


SV11M-12-3 - Solenoid valve

Spool type, 3-way, 2-position
Up to 42 L/min (11 USgpm) • 350 bar (5000 psi)

A



Operation

In the de-energized position this valve allows flow from port 1 to 2 while port 3 is blocked.

In the energized position flow is allowed from port 3 to port 1 while port 2 is blocked.

Performance data

Ratings and specifications

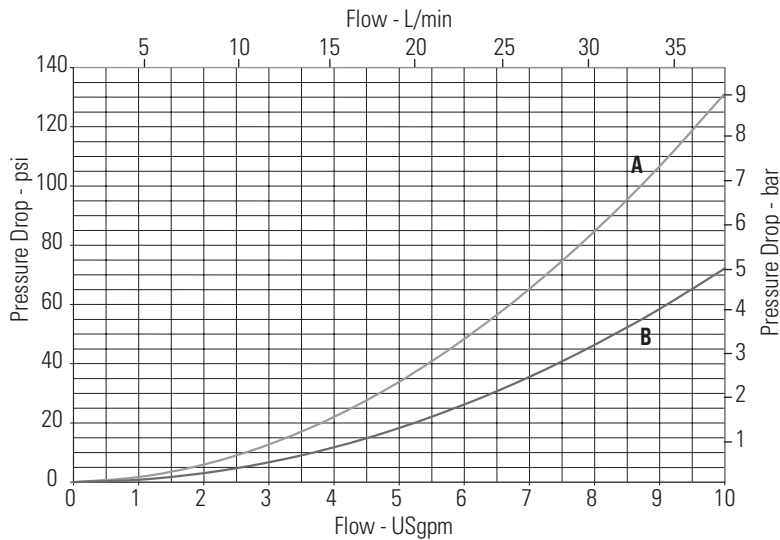
Performance data is typical with fluid at 21,8 cSt (105 SUS) and 49°C (120°F)

Typical application pressure (all ports except port 1)	350 bar (5000 psi)
Typical application pressure at port 1	210 bar (3000 psi)
Rated flow	42 L/min (11 USgpm) Max. flow port 1 to port 2 - 34 L/min (9 USgpm)
Internal leakage	350 cc/min (21.5 in ³ /min) @ 210 bar (3000 psi)
Temperature range	-40° to 120°C (-40° to 248°F)
Cavity	C-12-3
Weight including coil	0.86 kg (1.9 lbs)
Fluids	All general purpose hydraulic fluids such as: MIL-H-5606, SAE 10, SAE 20, etc.
Filtration Cleanliness code	18/16/13
Seal kit	9900171-000 Buna-N), 9900172-000 (Viton®)

Viton is a registered trademark of E.I. DuPont

Pressure drop

Cartridge only



A - Port 3 to port 1 energized

B - Port 1 to port 2 de-energized

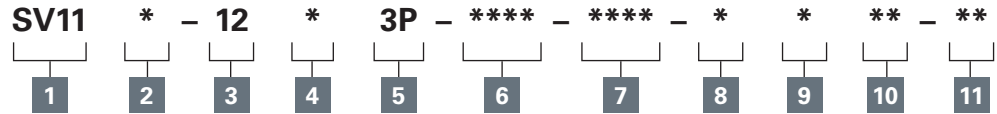
Where measurements are critical request certified drawings. We reserve the right to change specifications without notice.

SV11M-12-3 - Solenoid valve

Spool type, 3-way, 2-position
Up to 42 L/min (11 USgpm) • 350 bar (5000 psi)

A

Model code



1 Function

SV11 - Solenoid valve

2 Max flow

M - 42 L/min (11 USgpm)

3 Size

12 - 12 size

4 Seal material

Blank - Buna-N

V - Viton®

5 Style

3P - 3 way, push type manual override

6 Port size

0 - Cartridge only

Code	Port size	Housing number	
		Aluminium	Steel
A6G	3/4" BSPP	02-161816	
A12H	SAE 12	02-160646	
S4G	1/2" BSPP		02-169815
S6G	3/4" BSPP		02-169814
S10T	SAE 10		02-161070
S12T	SAE 12		02-169816

7 Voltage rating

00 - No coil

12D - 12VDC

24D - 24VDC

12B - 12VDC/w diode*

24B - 24VDC/w diode*

8 Connector types

Blank - No coil

G0 - ISO 4400 DIN 43650

N0 - Deutsch male, DT04-2P, integrated

Y0 - Integrated Amp DC

D0 - MetriPack® 150 Male, Integrated (DC Only)
Mating connector : Delphi 12052641.

For coil dimensions see section C.

9 Coil types

Blank - No coil

R - R series (30W) Large ToughCoil

10 Coil special features

Blank - No coil

00 - No special feature

11 Special features

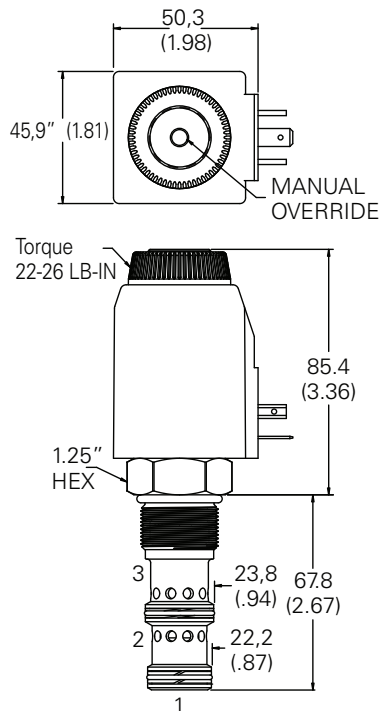
00 - None

(Only required if valve has Special features, omitted if "00".)

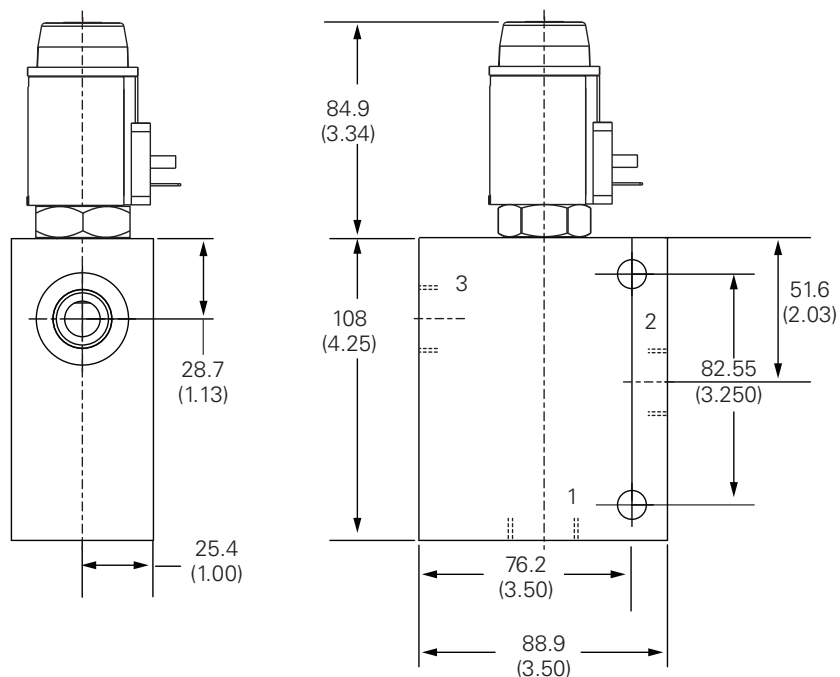
SF - Soft shift

Dimensions - mm (inch)

Cartridge only



Installation drawing (Steel)



Where measurements are critical request certified drawings. We reserve the right to change specifications without notice.